



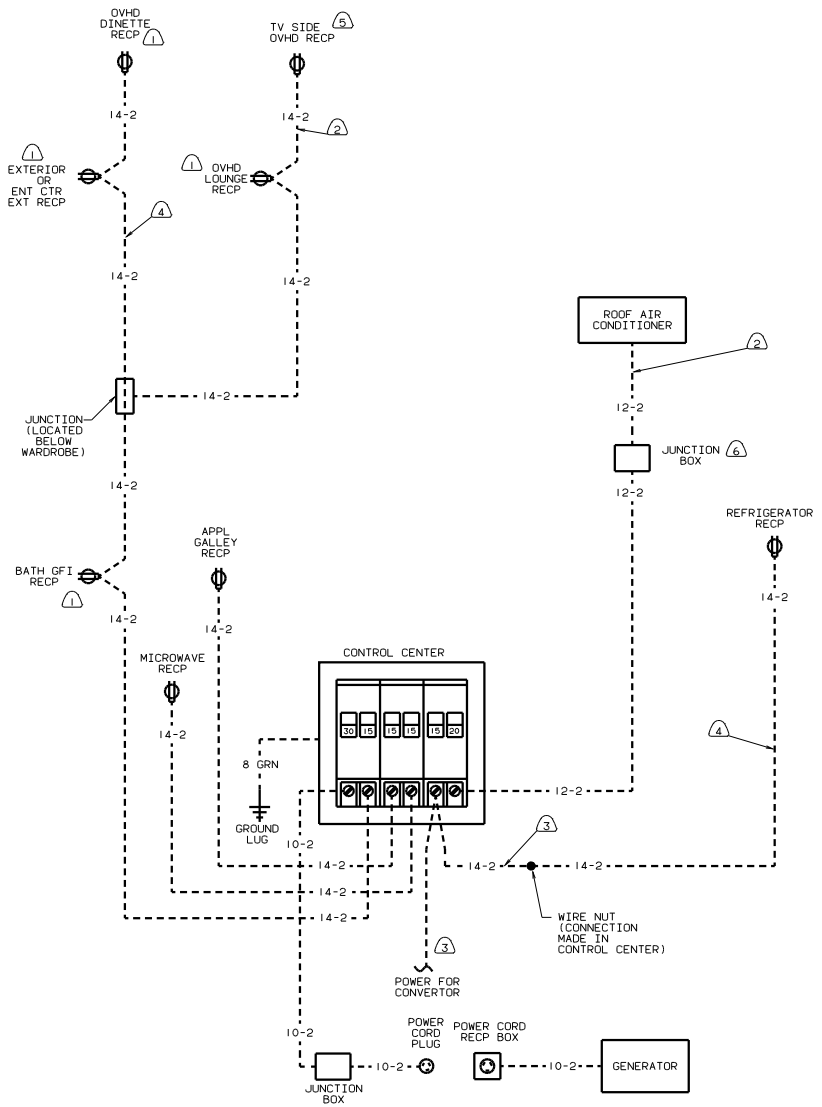
DANGER

Danger of electrical shock, burns or death. Always remove all power sources before attempting any repair, service or diagnostic work. Power can be present from shore power, generator, inverter or battery. All power sources must be disabled and secured before performing any service.



CAUTION

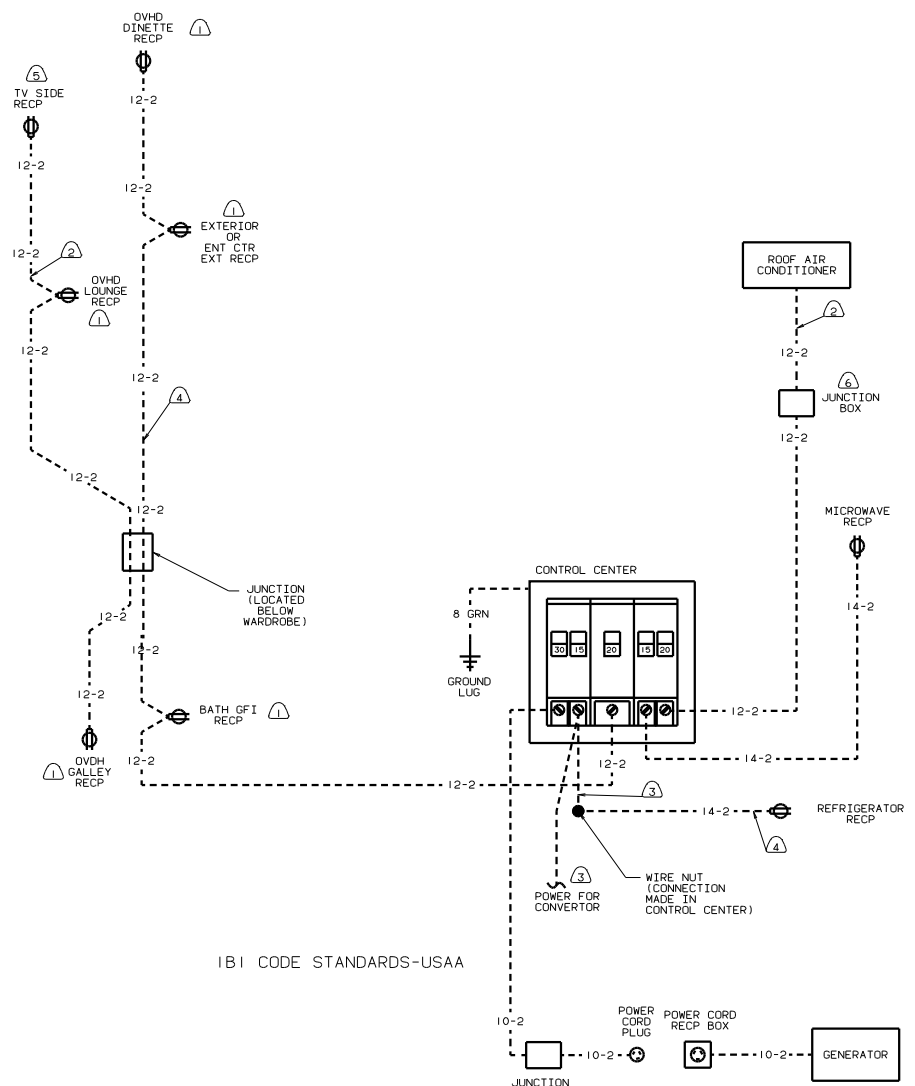
If you lack the skills, tools or equipment to perform diagnostic or repair work leave such work to an authorized Winnebago Industries dealer or other qualified shop.



265 CODE STANDARDS-CSA

- (6) NOT USED WITH 29D A/C, ROOF-ONE 13,500.
- (5) NOT USED WITH 78A TV-13" W/VCP, 12V.
- (4) WIRE ROUTED THRU FLOOR.
- (3) WIRE SUPPLIED WITH CONVERTER.
- (2) WIRE ROUTED IN ROOF.
- (1) PROTECTED BY GFI OUTLET.

NOTES:



12D ELECTRICAL SYS-30 AMP

12D ELECTRICAL SYS-30 AMP

WINNEBAGO 98 322WK

OF IN	DATE	UNDESIGNED TOLERANCES ARE	MATERIAL
CHP	DATE	WHOLE OR 1/2	
PIE	DATE	ONE-PLACE (R, 21)	
D/E	DATE	TWO-PLACE (R, 20)	
CONP	DATE	THREE-PLACE (R, 19)	
	DATE	FOUR-PLACE (R, 18)	
	DATE	FIVE-PLACE (R, 17)	
	DATE	SIX-PLACE (R, 16)	
	DATE	SEVEN-PLACE (R, 15)	
	DATE	EIGHT-PLACE (R, 14)	
	DATE	NINE-PLACE (R, 13)	
	DATE	TEN-PLACE (R, 12)	
	DATE	ELEVEN-PLACE (R, 11)	
	DATE	TWELVE-PLACE (R, 10)	
	DATE	THIRTEEN-PLACE (R, 9)	
	DATE	FOURTEEN-PLACE (R, 8)	
	DATE	FIFTEEN-PLACE (R, 7)	
	DATE	SIXTEEN-PLACE (R, 6)	
	DATE	SEVENTEEN-PLACE (R, 5)	
	DATE	EIGHTEEN-PLACE (R, 4)	
	DATE	NINETEEN-PLACE (R, 3)	
	DATE	TWENTY-PLACE (R, 2)	
	DATE	TWENTY-ONE PLACE (R, 1)	

LANE # _____ TITLE _____
 DIA # _____ SCALE: NONE _____
 ALL DIMENSIONS ARE IN MILLIMETERS SHEET 1 OF 1