



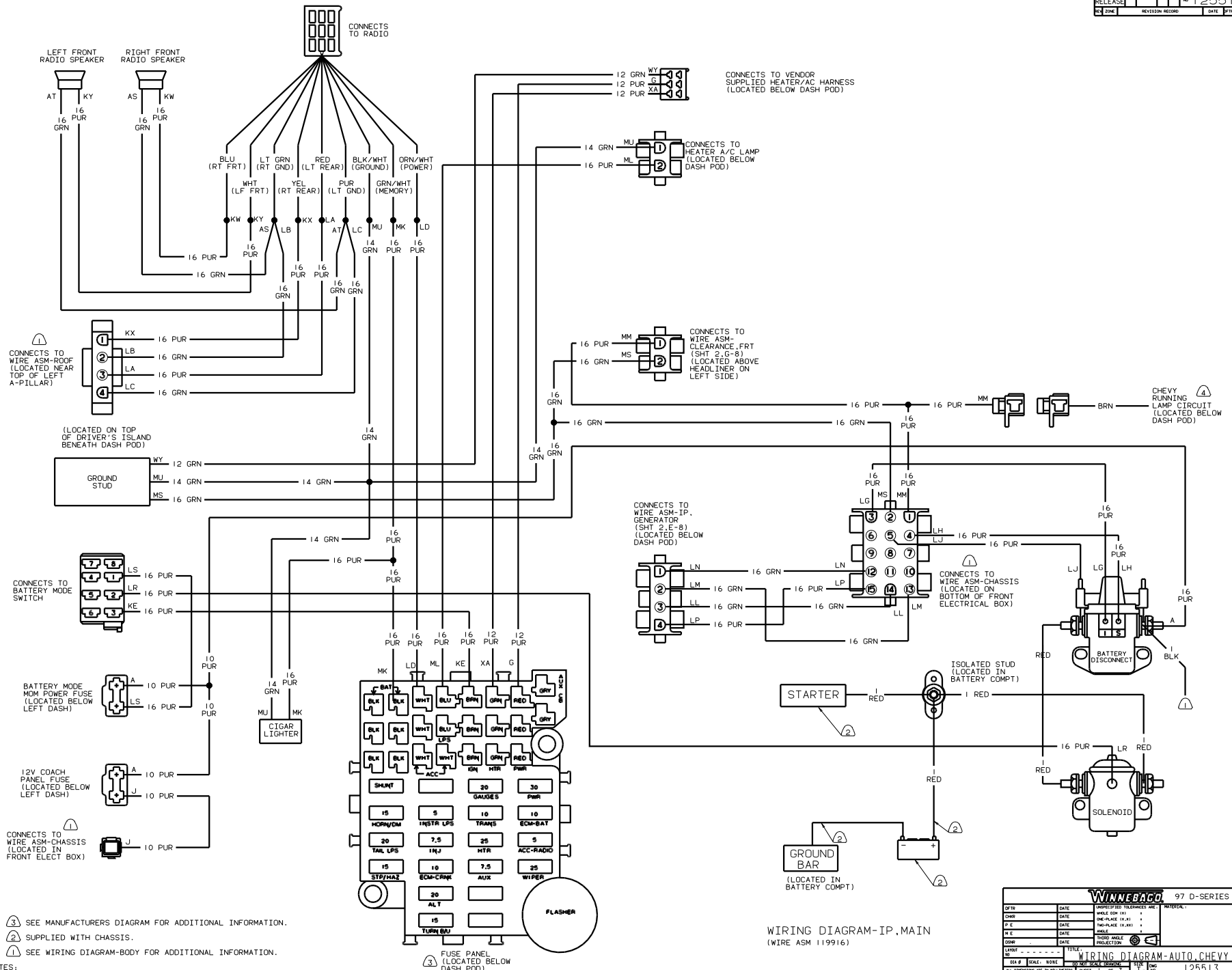
DANGER

Danger of electrical shock, burns or death. Always remove all power sources before attempting any repair, service or diagnostic work. Power can be present from shore power, generator, inverter or battery. All power sources must be disabled and secured before performing any service.



CAUTION

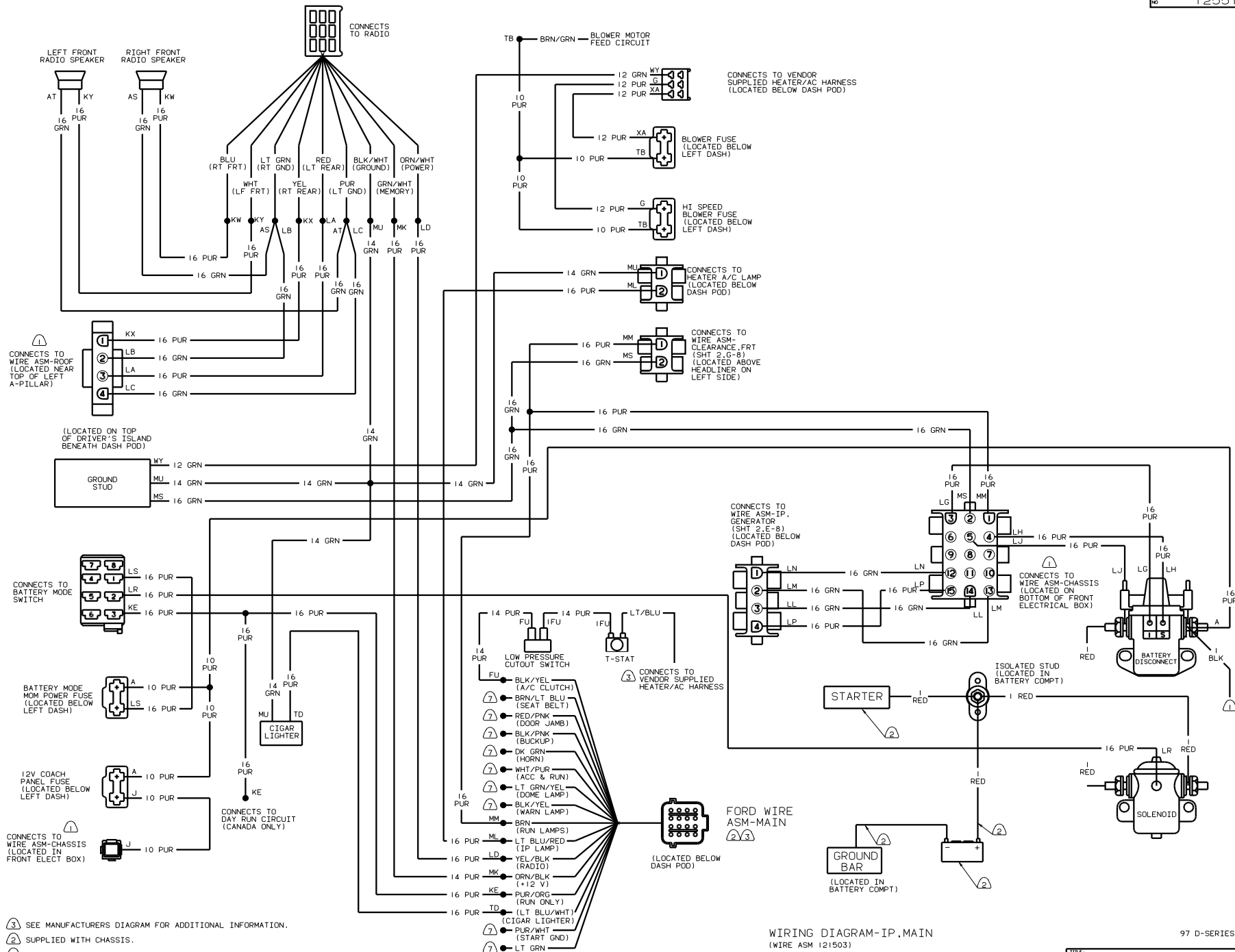
If you lack the skills, tools or equipment to perform diagnostic or repair work leave such work to an authorized Winnebago Industries dealer or other qualified shop.



③ SEE MANUFACTURERS DIAGRAM FOR ADDITIONAL INFORMATION.
 ② SUPPLIED WITH CHASSIS.
 ① SEE WIRING DIAGRAM-BODY FOR ADDITIONAL INFORMATION.

WIRING DIAGRAM-IP,MAIN
 (WIRE ASM 119916)

WINNEBAGO		97 D-SERIES	
OF IN	DATE	UNSPECIFIED TOLERANCES ARE	MATERIAL
CHP	DATE	WHOLE OR 1/2"	
PIE	DATE	ONE-PLACE (16.41)	
D/E	DATE	TWO-PLACE (16.40)	
DATE	DATE	ANGLE	
CONP	DATE	INDIC. W/OLE	
	DATE	PRODUCTION	
DRAWN BY		TITLE	
SCALE: NONE		WIRING DIAGRAM-AUTO, CHEVY	
ALL DIMENSIONS ARE IN MILLIMETERS	SHEET 1 OF 3	FIG. NO.	12513

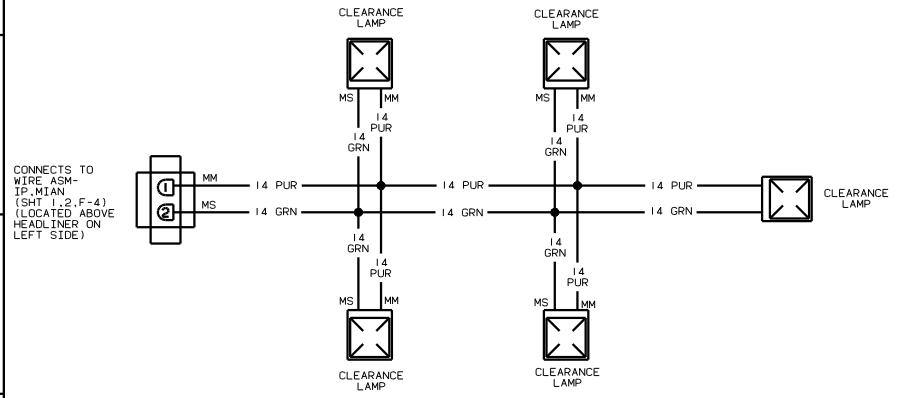


③ SEE MANUFACTURERS DIAGRAM FOR ADDITIONAL INFORMATION.
 ② SUPPLIED WITH CHASSIS.
 ① SEE WIRING DIAGRAM-BODY FOR ADDITIONAL INFORMATION.

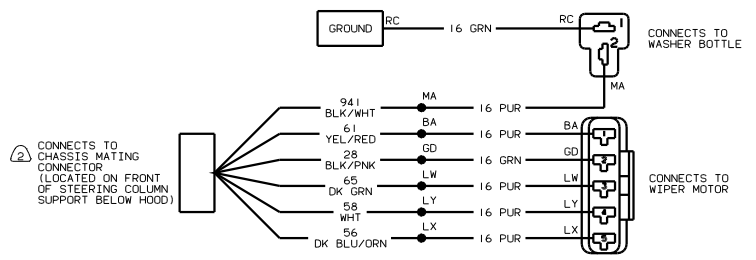
WIRING DIAGRAM-IP,MAIN
 (WIRE ASM 121503)

97 D-SERIES

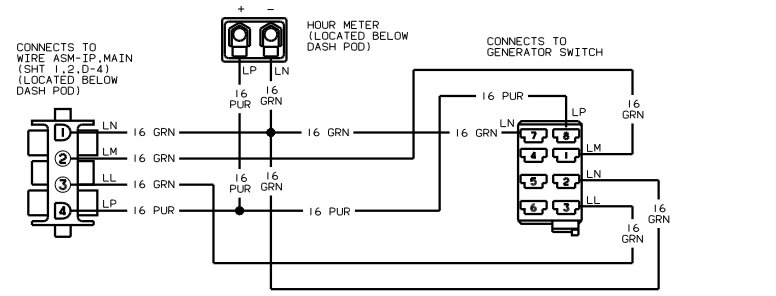
TITLE		WIRING DIAGRAM-AUTO, FORD	
NO. OF SHEETS	2 OF 3	REV.	1 E
SHEET	2 OF 3	DATE	125513



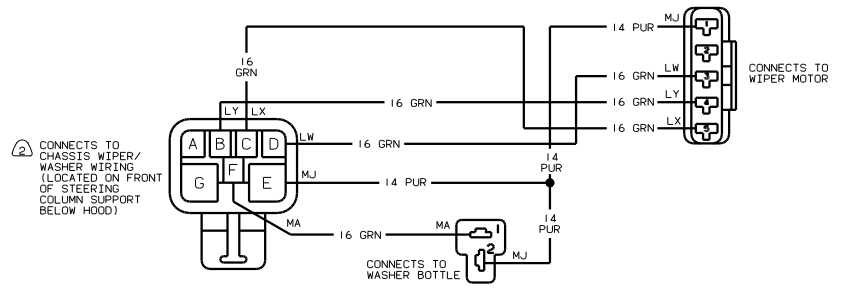
WIRING DIAGRAM-CLEARANCE LAMPS, FRT
(WIRE ASM 109979)



WIRING DIAGRAM-WIPER/WASHER
(WIRE ASM 111096-03)
(FORD ONLY)



WIRING DIAGRAM-IP, GENERATOR SWITCH
(WIRE ASM 109818-02)



WIRING DIAGRAM-WIPER/WASHER
(WIRE ASM 113134-03)
(GM ONLY)

② SEE MANUFACTURER'S DIAGRAM FOR ADDITIONAL INFORMATION.
 ① SEE WIRING DIAGRAM-BODY FOR ADDITIONAL INFORMATION.