



**DANGER**

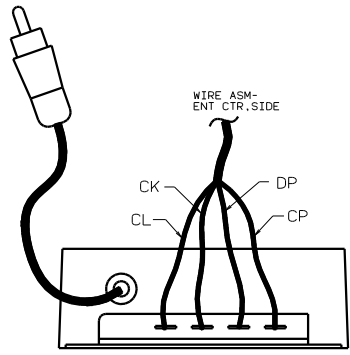
**Danger of electrical shock, burns or death.** Always remove all power sources before attempting any repair, service or diagnostic work. Power can be present from shore power, generator, inverter or battery. All power sources must be disabled and secured before performing any service.



**CAUTION**

If you lack the skills, tools or equipment to perform diagnostic or repair work leave such work to an authorized Winnebago Industries dealer or other qualified shop.

TO TV SPEAKER OUTPUT JACK



DETAIL A (7)

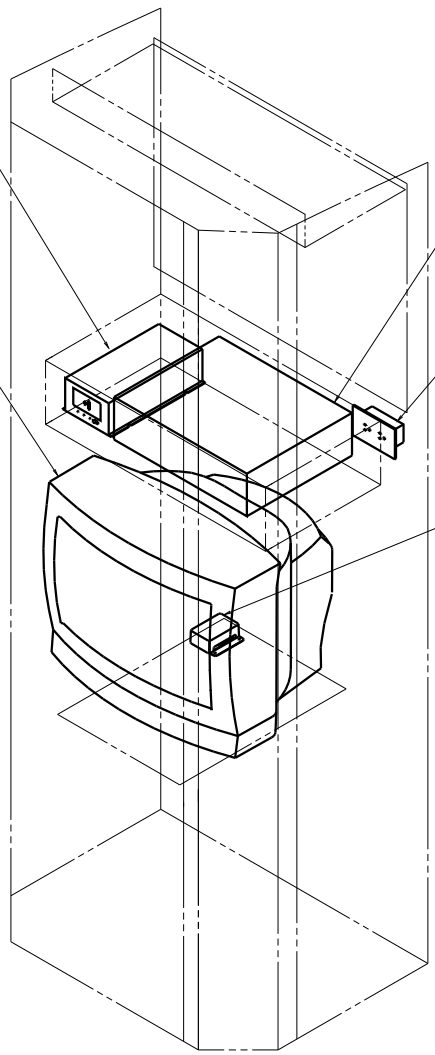
(2)(4) { INVERTER-130 WATT  
 99048-03-000  
 SCREW  
 G67-08-08U(4)

(1)(2)(3)(4) { TV-19"  
 124075-01-000

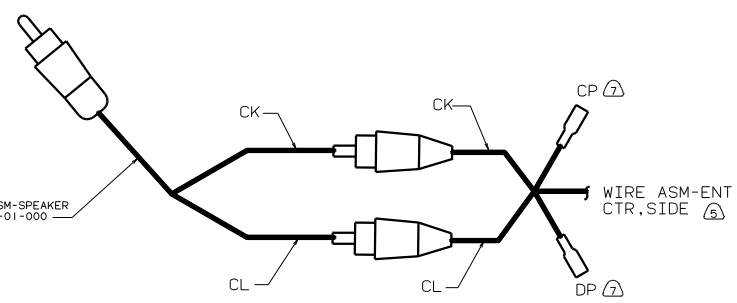
VCR-VHS  
 124073-03-000  
 FASTENER-DUAL LOCK  
 85774-01-000  
 85774-02-000 } (3)(4)

RECP  
 86738-01-CHT

AMPLIFIER-TV  
 115540-01-000  
 FASTENER-DUAL LOCK  
 85774-01-000  
 85774-02-000  
 (SEE DETAIL A) } (1)(2)(3)(4)(7)



TO TV SPEAKER OUTPUT JACK

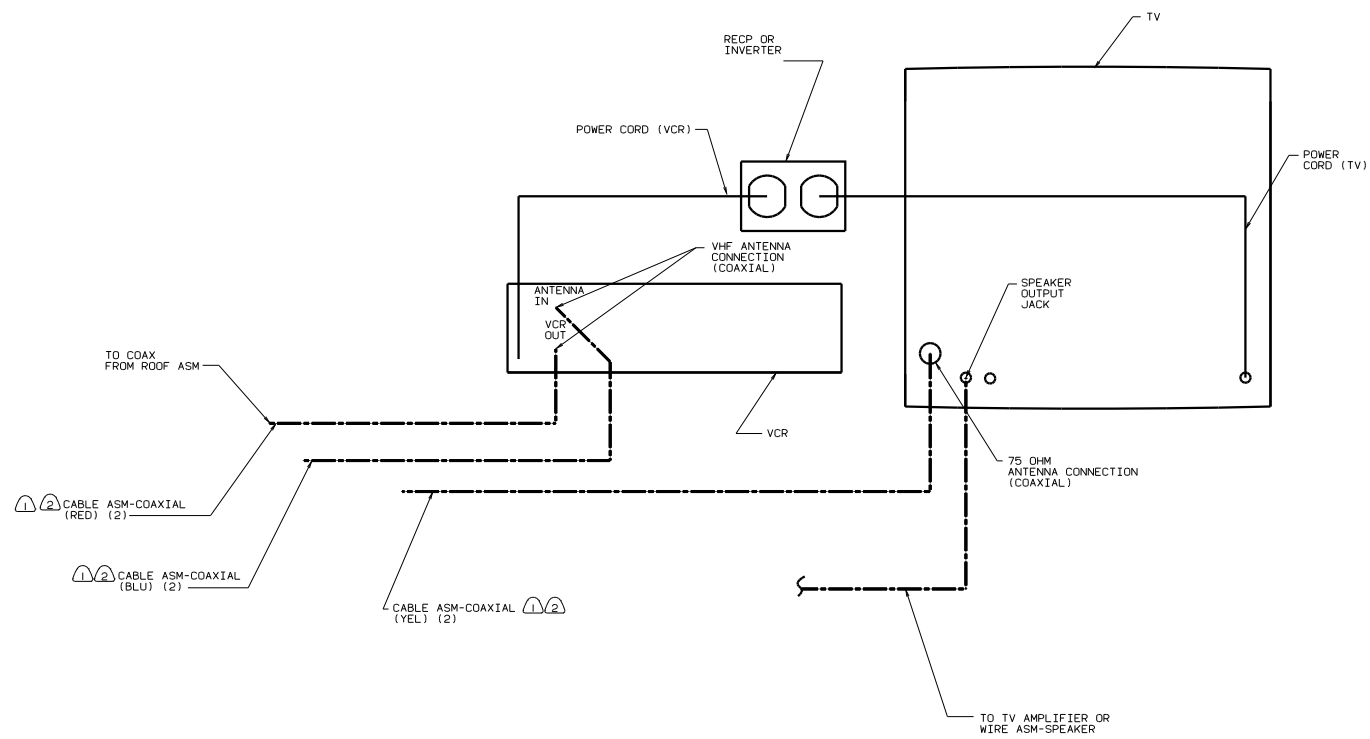


DETAIL A (6)

- (7) NOT USED WITH DELUXE SOUND SYSTEM.
- (6) WITH DELUXE SOUND SYSTEM.
- (5) SEE WIRING INSTL-BODY FOR ADDITIONAL INFORMATION.
- (4) USE WITH TV, VCR, SWITCHING CONTROL CENTER, INVERTER AND TV ANTENNA.
- (3) USE WITH TV, VCR, SWITCHING CONTROL CENTER AND TV ANTENNA.
- (2) USE WITH TV, INVERTER AND TV ANTENNA ONLY.
- (1) USE WITH TV AND TV ANTENNA ONLY.

NOTES:

WINNEBAGO		97 M36W0
OF IN	DATE	UNSPECIFIED TOLERANCES ARE:
CHP	DATE	WHOLE DIM IN
PIE	DATE	ONE-PLACE IN .01
PIE	DATE	TWO-PLACE IN .001
PIE	DATE	ANGLE
COMP	DATE	THIRD ANGLE PROJECTION
LAYOUT NO.	DATE	TITLE
WIRING INSTL-TV/VCR SIDE		124728
SHEET 1 OF 2	1/16	124728



REAR VIEW

(WITHOUT INVERTER)

- ② SEE WIRING INSTL-BODY FOR ADDITIONAL INFORMATION.
- ① CABLE ASM-MARKED WITH COLORED TAPE.

NOTES:

TITLE		WIRING INSTL-TV/VCR.FRONT	
DATE	BY	DATE	BY
12/1/05	J.E.	12/1/05	J.E.
SHEET 2 of 2		Doc No 124728	