



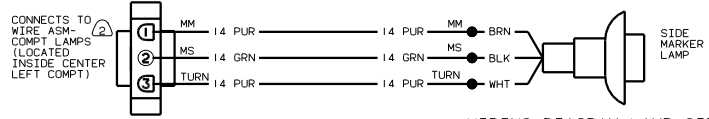
DANGER

Danger of electrical shock, burns or death. Always remove all power sources before attempting any repair, service or diagnostic work. Power can be present from shore power, generator, inverter or battery. All power sources must be disabled and secured before performing any service.

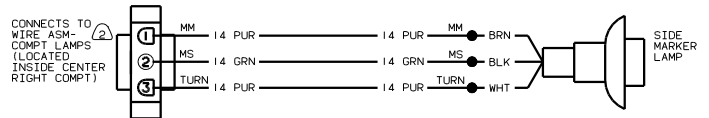


CAUTION

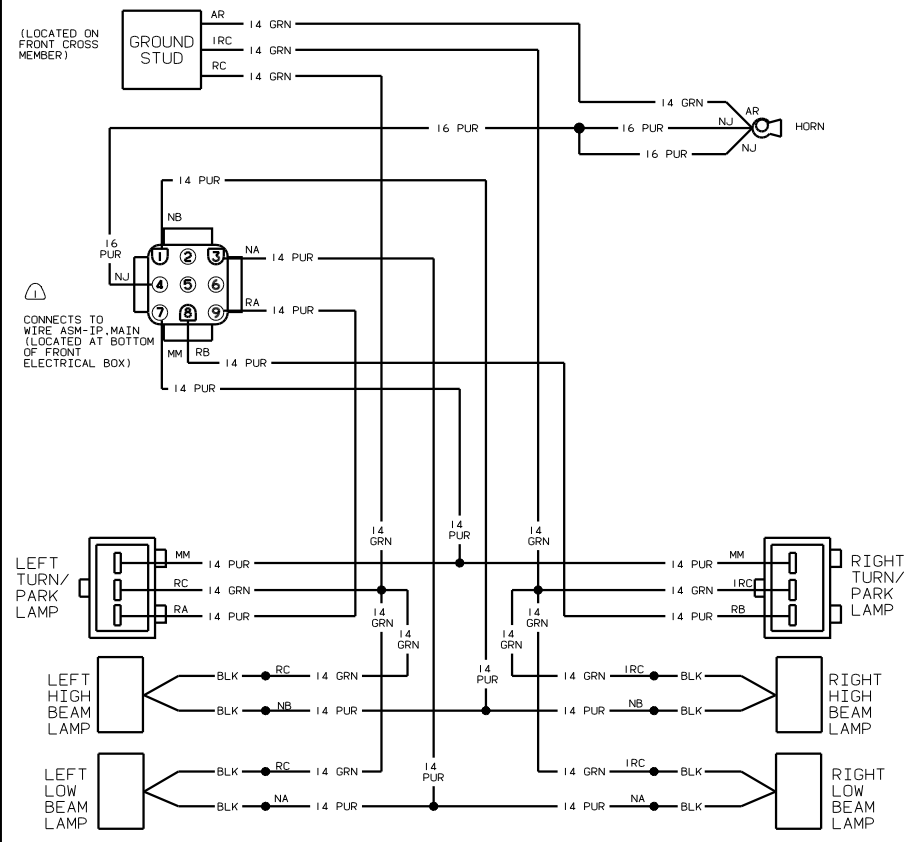
If you lack the skills, tools or equipment to perform diagnostic or repair work leave such work to an authorized Winnebago Industries dealer or other qualified shop.



WIRING DIAGRAM-LAMP, SIDEMARKER
 (CENTER LEFT)
 (WIRE ASM 107775-04)



WIRING DIAGRAM-LAMP, SIDEMARKER
 (CENTER RIGHT)
 (WIRE ASM 107775-04)



WIRING DIAGRAM-HEADLAMP
 (WIRE ASM 124151)

② SEE WIRING DIAGRAM-BODY FOR ADDITIONAL INFORMATION.
 ① SEE WIRING DIAGRAM AUTO FOR ADDITIONAL INFORMATION.

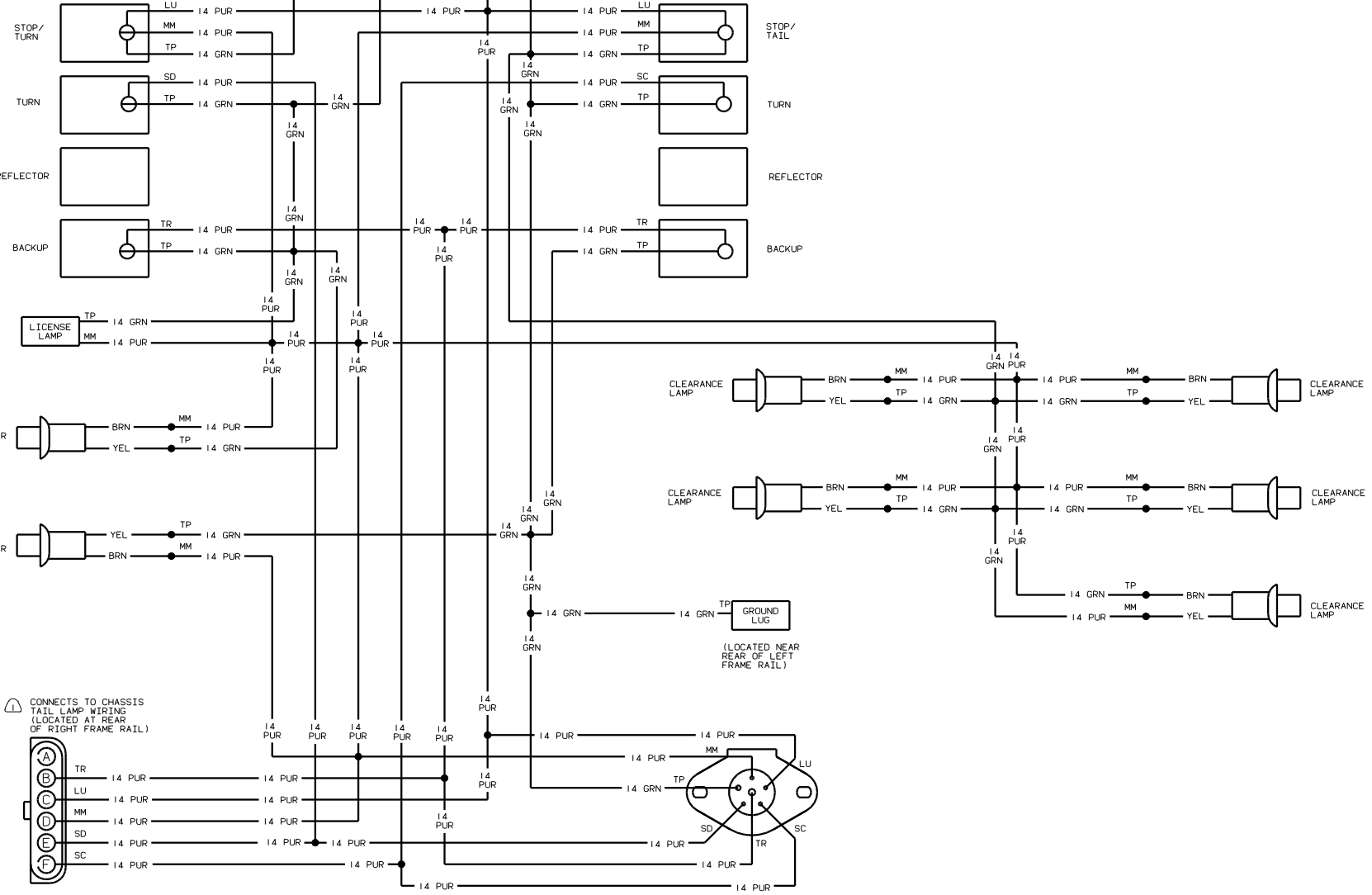
WINNEBAGO		97 0-SERIES	
OF IN	DATE	UNSPECIFIED TOLERANCES ARE:	MATERIAL
CHP	DATE	HALF DIM 1/16"	
PIE	DATE	ONE-PLACE 1/8"	
D/E	DATE	TWO-PLACE 1/16"	
COMB	DATE	THIRD ANGLE PROJECTION	
DRAWN BY		TITLE	
SCALE		WIRING DIAGRAM-AUTO LAMPS	
NOTE		SHEET 1 OF 2	
ALL DIMENSIONS ARE IN MILLIMETERS		124076	

CENTER BRAKE LAMP



LEFT TAILLAMPS

RIGHT TAILLAMPS



CONNECTS TO CHASSIS TAIL LAMP WIRING (LOCATED AT REAR OF RIGHT FRAME RAIL)

GROUND LUG (LOCATED NEAR REAR OF LEFT FRAME RAIL)

WIRING DIAGRAM-BACKWALL (WIRE ASM 124158)

97 0-SERIES

SEE MANUFACTURER'S DIAGRAM FOR ADDITIONAL INFORMATION.

TITLE		WIRING DIAGRAM-AUTO LAMPS	
DATE	BY	DATE	BY
11/16	J.E.	11/16	J.E.
SHEET 2 OF 2		124076	