



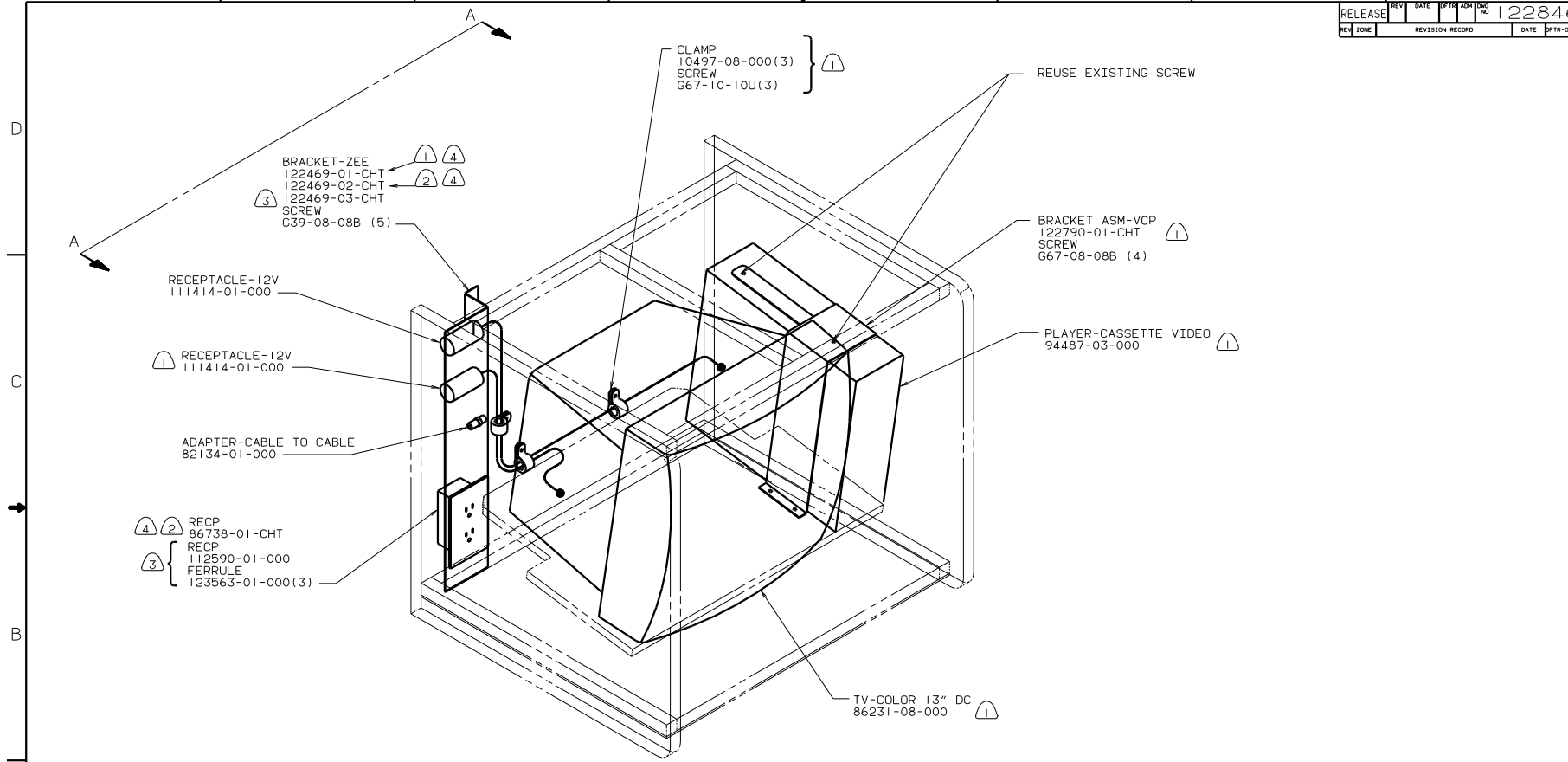
DANGER

Danger of electrical shock, burns or death. Always remove all power sources before attempting any repair, service or diagnostic work. Power can be present from shore power, generator, inverter or battery. All power sources must be disabled and secured before performing any service.



CAUTION

If you lack the skills, tools or equipment to perform diagnostic or repair work leave such work to an authorized Winnebago Industries dealer or other qualified shop.



BRACKET-ZEE
 122469-01-CHT (1) (4)
 122469-02-CHT (2) (4)
 122469-03-CHT
 SCREW
 G39-08-08B (5)

CLAMP
 10497-08-000(3) (1)
 SCREW
 G67-10-10U(3)

REUSE EXISTING SCREW

BRACKET ASM-VCP
 122790-01-CHT (1)
 SCREW
 G67-08-08B (4)

RECEPTACLE-12V
 111414-01-000

(1) RECEPTACLE-12V
 111414-01-000

PLAYER-CASSETTE VIEDO
 94487-03-000 (1)

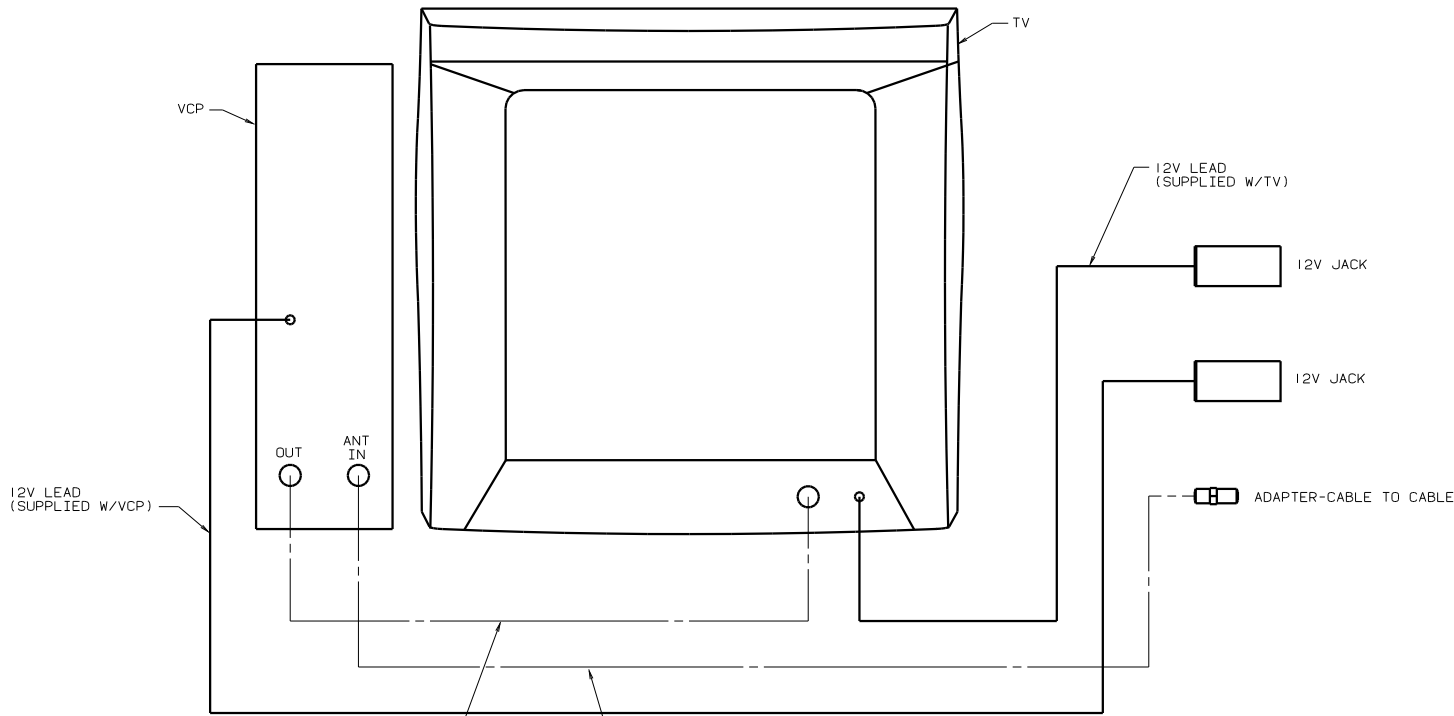
ADAPTER-CABLE TO CABLE
 82134-01-000

(4) (2) RECP
 86738-01-CHT
 RECP
 112590-01-000
 (3) FERRULE
 123563-01-000(3)

TV-COLOR 13" DC
 86231-08-000 (1)

- NOTES:
- (4) NOT USED WITH WIE EXPORT PREP.
 - (3) USE WITH WIE EXPORT PREP.
 - (2) NOT USED WITH TV VCP PACKAGE.
 - (1) USE WITH TV/VCP PACKAGE.

WINNEBAGO		97 C-BODY	
OF TR	DATE	UNSPECIFIED TOLERANCES ARE:	MATERIAL
CHR	DATE	WHOLE DIM (X)	+
P E	DATE	ONE-PLACE (X.XX)	+
N E	DATE	TWO-PLACE (X.XXX)	+
DSM	DATE	ANGLE	+
	DATE	THIRD ANGLE PROJECTION	
LAYOUT NO.	TITLE: WIRING INSTL-TV/VCR SIDE		
DIA #	SCALE: NONE	TO NEXT SCALE (DRAWING)	SHEET NO. 122846
ALL DIMENSIONS ARE IN MILLIMETERS		SHEET 1 OF 2	DWG NO. 122846



VIEW A-A

97 C-BODY

TITLE: WIRING INSTL-TV/VCR, SIDE			
DRN	SCALE	DATE	SIZE
122846			1/8"
SHEET 2 OF 2		DWG NO	122846