



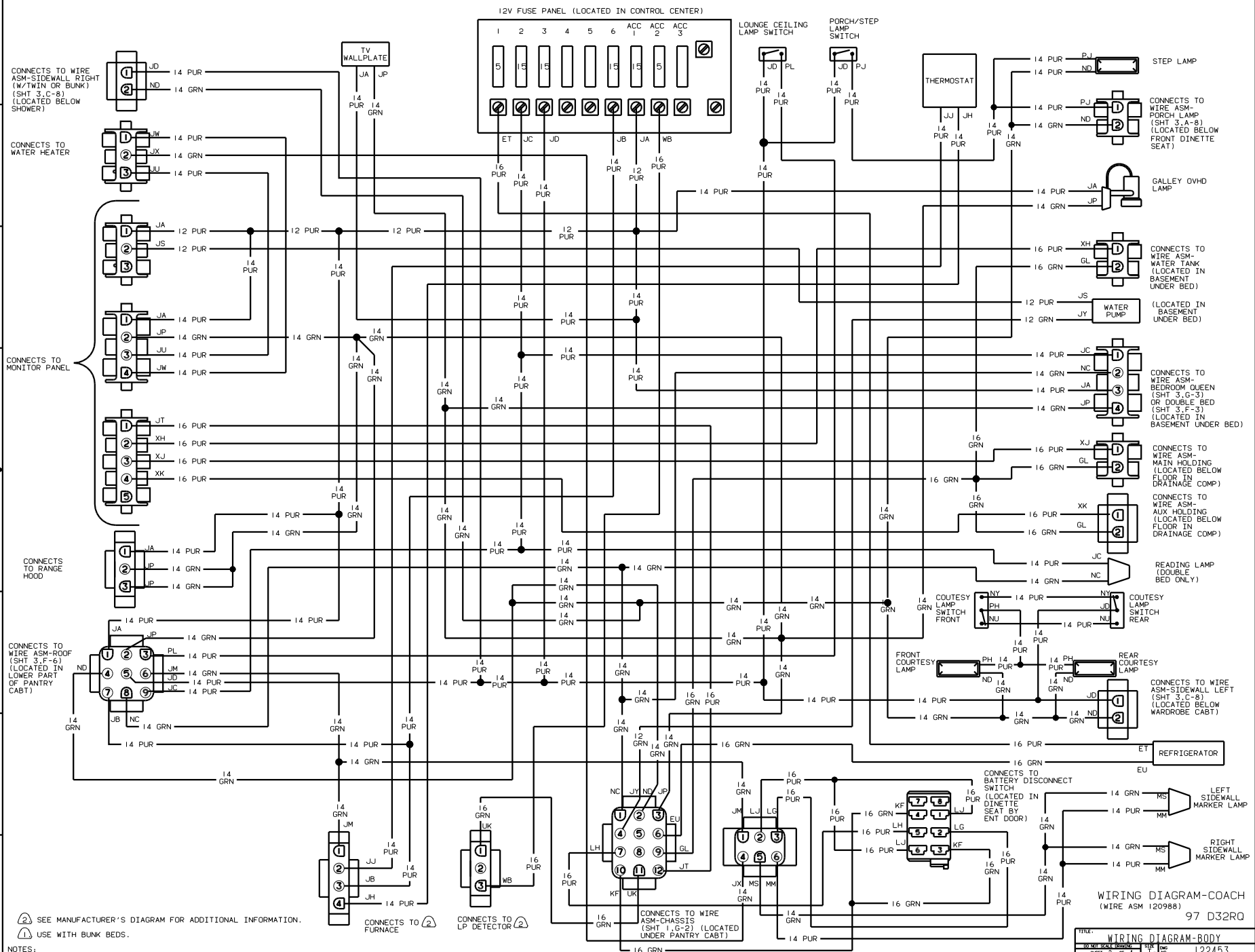
DANGER

Danger of electrical shock, burns or death. Always remove all power sources before attempting any repair, service or diagnostic work. Power can be present from shore power, generator, inverter or battery. All power sources must be disabled and secured before performing any service.

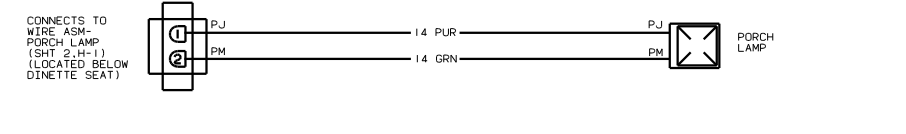
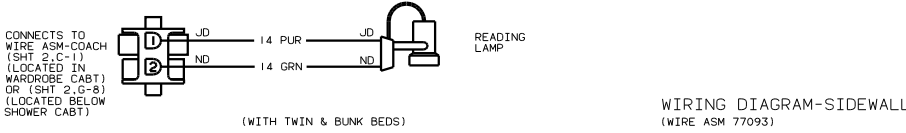
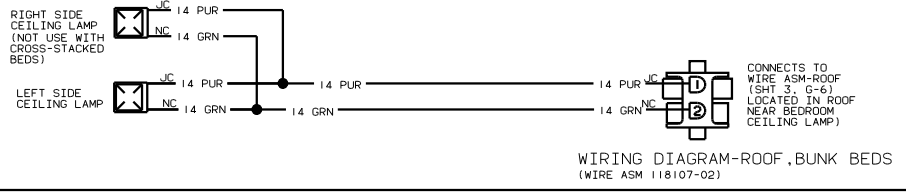
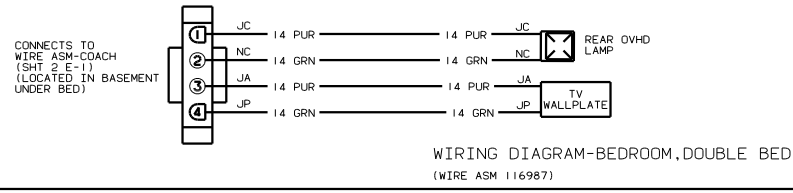
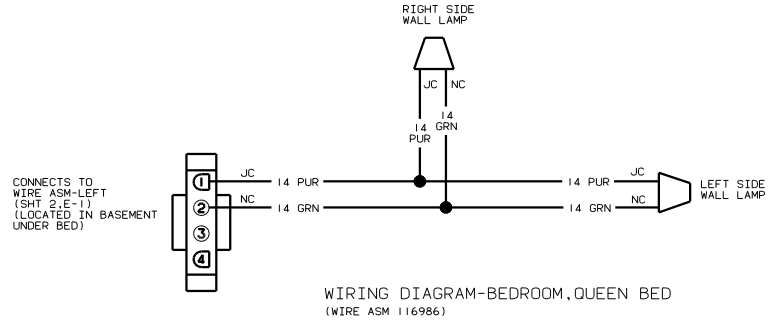
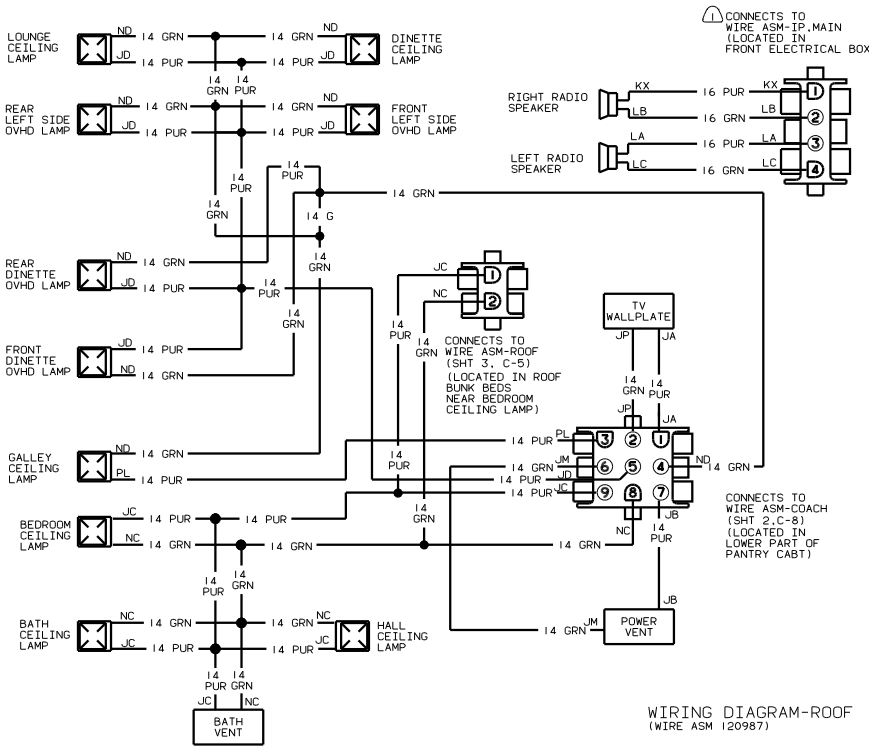


CAUTION

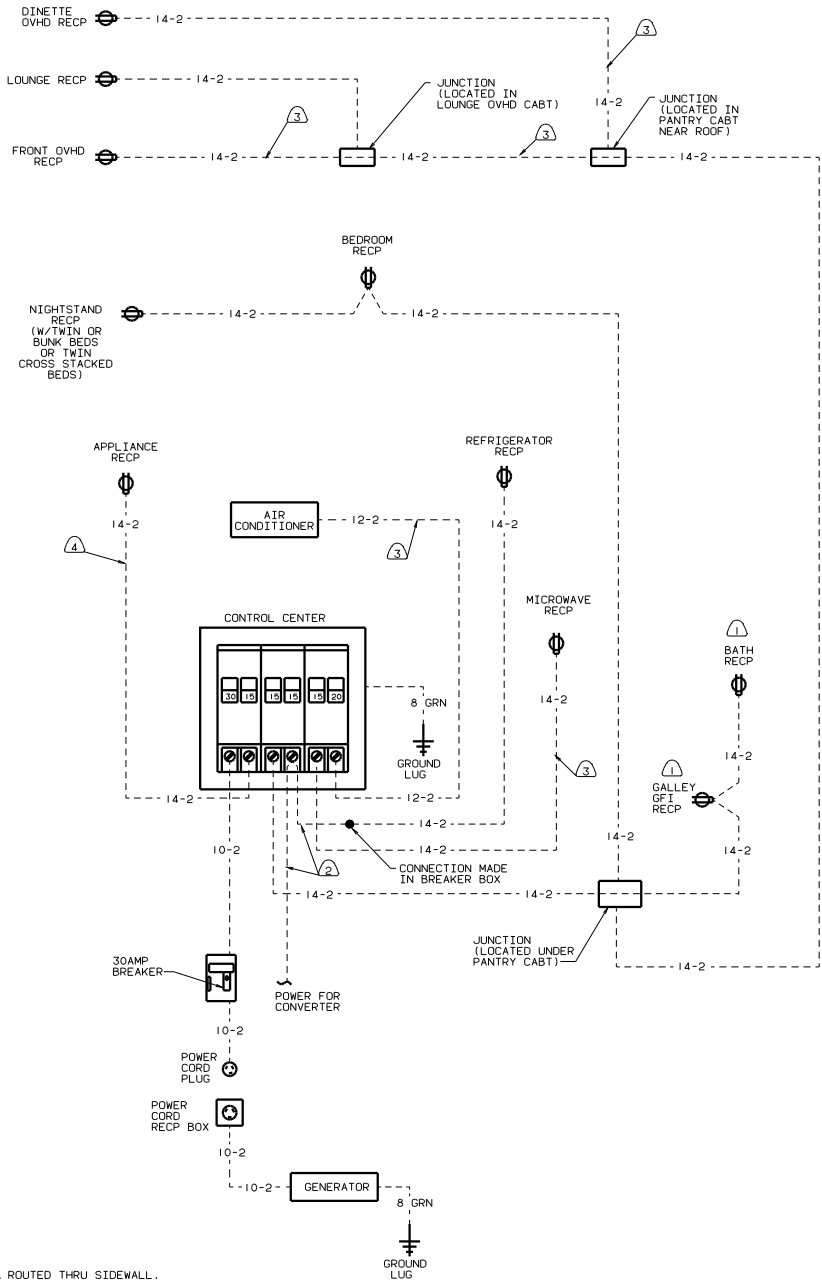
If you lack the skills, tools or equipment to perform diagnostic or repair work leave such work to an authorized Winnebago Industries dealer or other qualified shop.



NOTES:
 (2) SEE MANUFACTURER'S DIAGRAM FOR ADDITIONAL INFORMATION.
 (1) USE WITH BUNK BEDS.



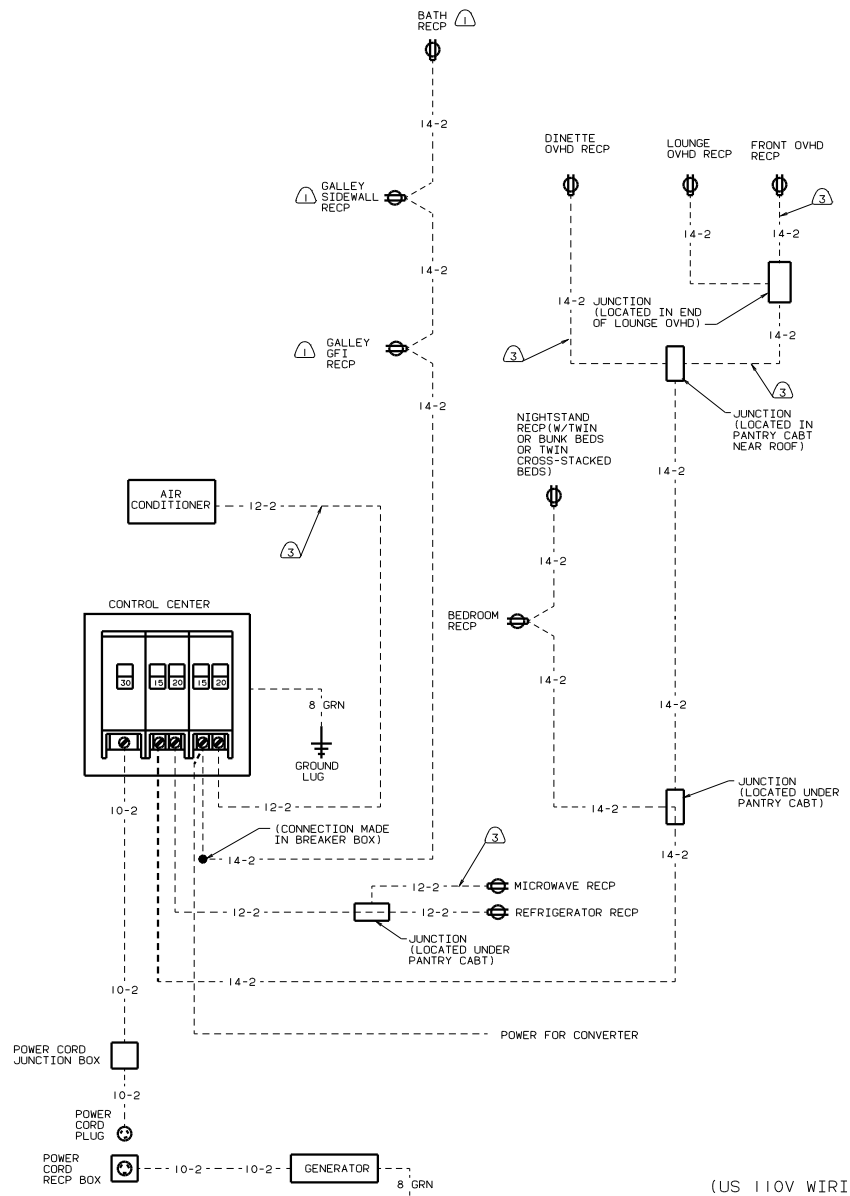
NOTES:
 1) SEE WIRING DIAGRAM-AUTO FOR ADDITIONAL INFORMATION.



(CAN 110V WIRING)

- ④ ROUTED THRU SIDEWALL.
- ③ ROUTED IN ROOF.
- ② LEAD SUPPLIED WITH CONVERTER.
- ① PROTECTED BY GFI RECP.

NOTES:



(US 110V WIRING)

TITLE		97 D32R0	
WIRING DIAGRAM-BODY		122453	
NO. OF SHEETS	TOTAL SHEETS	DATE	REV.
4	4		