



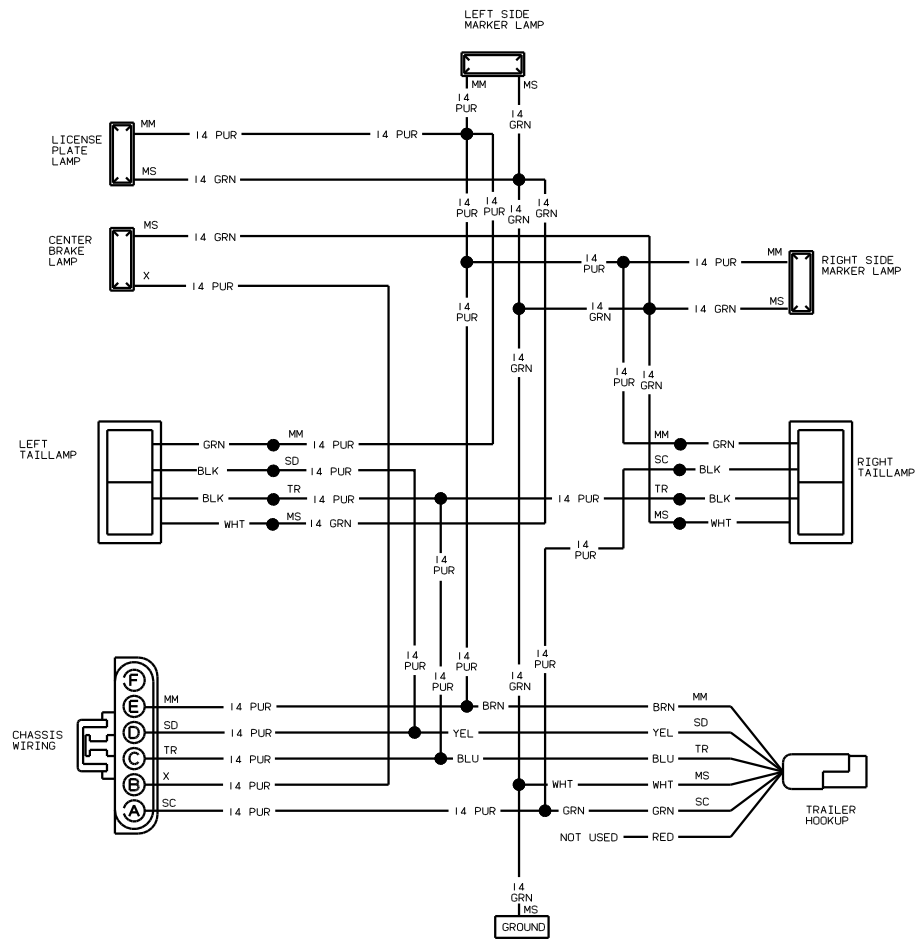
DANGER

Danger of electrical shock, burns or death. Always remove all power sources before attempting any repair, service or diagnostic work. Power can be present from shore power, generator, inverter or battery. All power sources must be disabled and secured before performing any service.



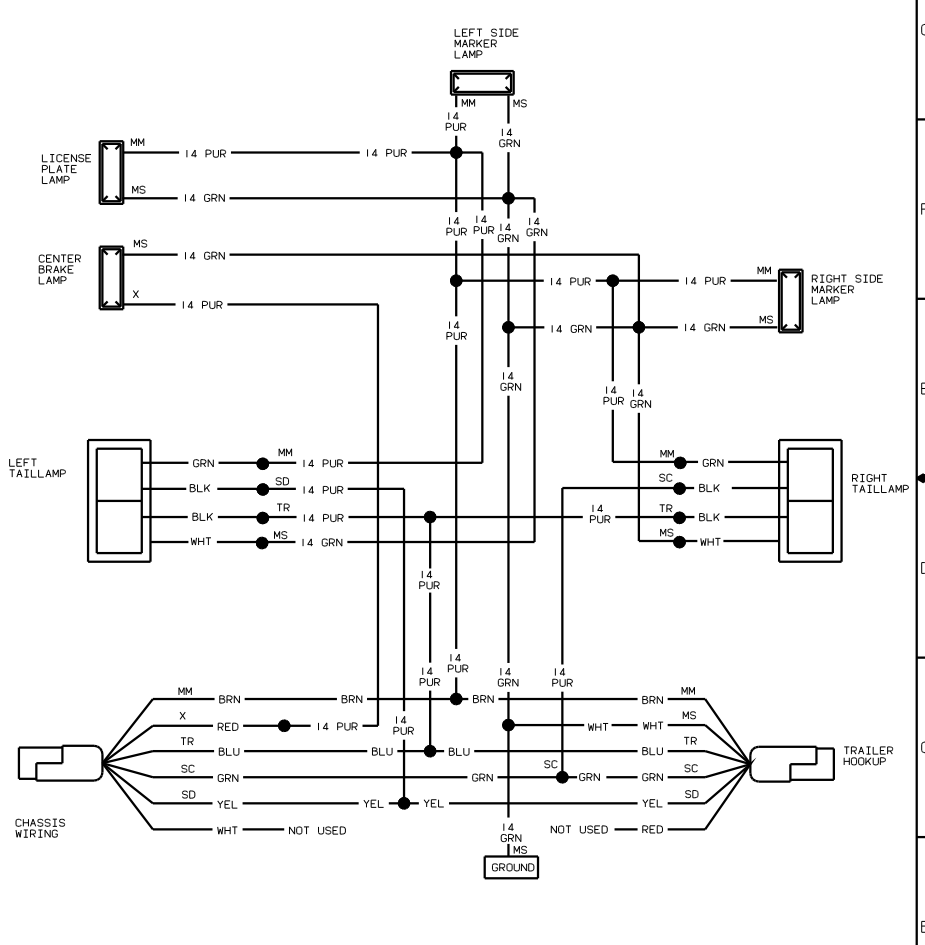
CAUTION

If you lack the skills, tools or equipment to perform diagnostic or repair work leave such work to an authorized Winnebago Industries dealer or other qualified shop.



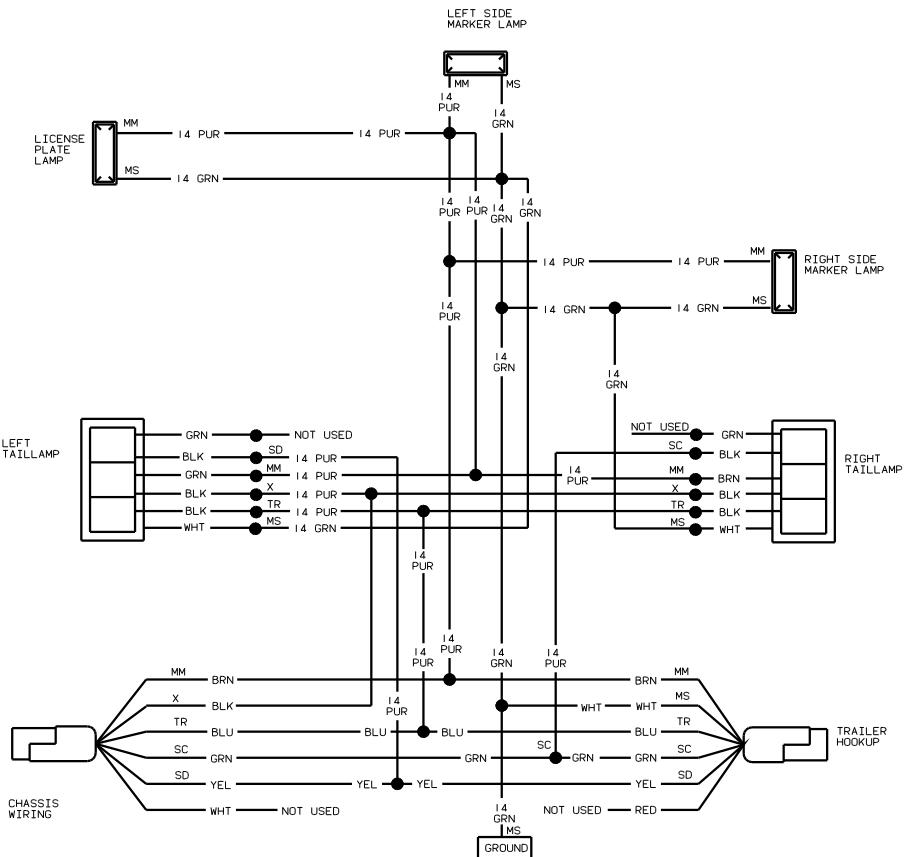
WIRING DIAGRAM-BACKWALL
 (CHEVY CHASSIS)
 (WIRE ASM 125506)

SEE MANUFACTURER'S DIAGRAM FOR ADDITIONAL INFORMATION.

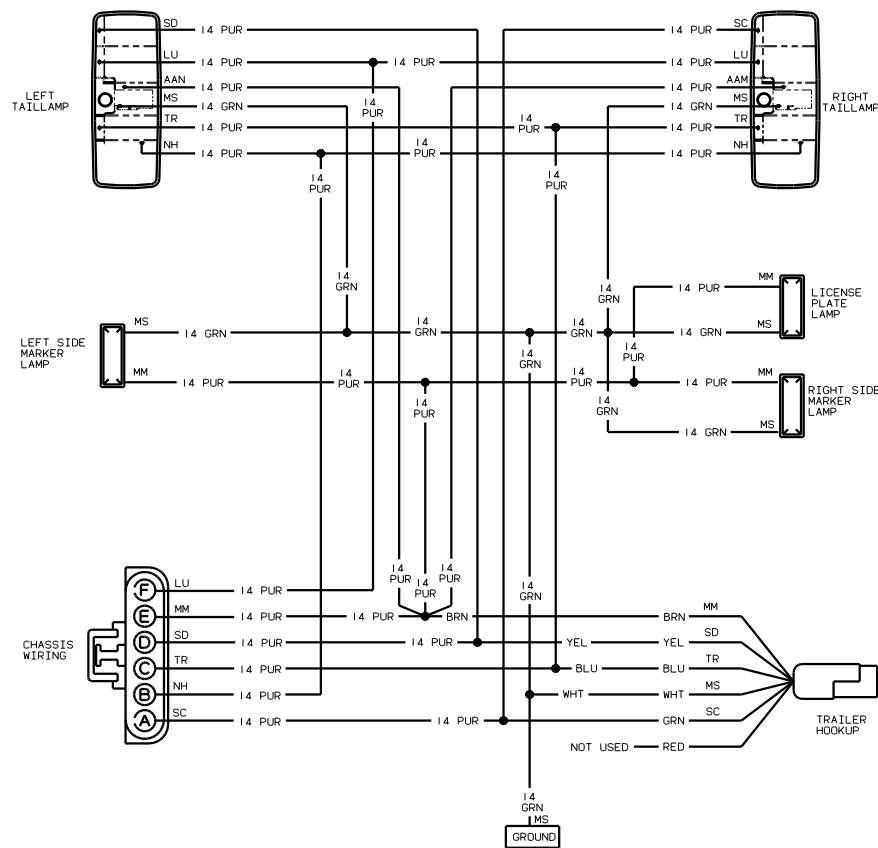


WIRING DIAGRAM-BACKWALL
 (FORD CHASSIS)
 (WIRE ASM 121617)

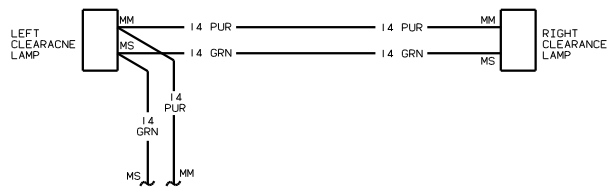
WINNEBAGO		97 C-BODY
OF 10	DATE	UNSPECIFIED TOLERANCES ARE:
CHP	DATE	WHOLE OR .01
DR	DATE	ONE-PLACE (0.01)
D/E	DATE	TWO-PLACE (0.001)
DATE	DATE	THREE-PLACE (0.0001)
DATE	DATE	FOUR-PLACE (0.00001)
DATE	DATE	FIVE-PLACE (0.000001)
DATE	DATE	SIX-PLACE (0.0000001)
DATE	DATE	SEVEN-PLACE (0.00000001)
DATE	DATE	EIGHT-PLACE (0.000000001)
DATE	DATE	NINE-PLACE (0.0000000001)
DATE	DATE	TEN-PLACE (0.00000000001)
DATE	DATE	ELEVEN-PLACE (0.000000000001)
DATE	DATE	TWELVE-PLACE (0.0000000000001)
DATE	DATE	THIRTEEN-PLACE (0.00000000000001)
DATE	DATE	FOURTEEN-PLACE (0.000000000000001)
DATE	DATE	FIFTEEN-PLACE (0.0000000000000001)
DATE	DATE	SIXTEEN-PLACE (0.00000000000000001)
DATE	DATE	SEVENTEEN-PLACE (0.000000000000000001)
DATE	DATE	EIGHTEEN-PLACE (0.0000000000000000001)
DATE	DATE	NINETEEN-PLACE (0.00000000000000000001)
DATE	DATE	TWENTY-PLACE (0.000000000000000000001)
DATE	DATE	ONE PLACE (0.01)
DATE	DATE	TWO PLACE (0.001)
DATE	DATE	THREE PLACE (0.0001)
DATE	DATE	FOUR PLACE (0.00001)
DATE	DATE	FIVE PLACE (0.000001)
DATE	DATE	SIX PLACE (0.0000001)
DATE	DATE	SEVEN PLACE (0.00000001)
DATE	DATE	EIGHT PLACE (0.000000001)
DATE	DATE	NINE PLACE (0.0000000001)
DATE	DATE	TEN PLACE (0.00000000001)
DATE	DATE	ELEVEN PLACE (0.000000000001)
DATE	DATE	TWELVE PLACE (0.0000000000001)
DATE	DATE	THIRTEEN PLACE (0.00000000000001)
DATE	DATE	FOURTEEN PLACE (0.000000000000001)
DATE	DATE	FIFTEEN PLACE (0.0000000000000001)
DATE	DATE	SIXTEEN PLACE (0.00000000000000001)
DATE	DATE	SEVENTEEN PLACE (0.000000000000000001)
DATE	DATE	EIGHTEEN PLACE (0.0000000000000000001)
DATE	DATE	NINETEEN PLACE (0.00000000000000000001)
DATE	DATE	TWENTY PLACE (0.000000000000000000001)
DATE	DATE	UNSPECIFIED TOLERANCES ARE:
DATE	DATE	WHOLE OR .01
DATE	DATE	ONE-PLACE (0.01)
DATE	DATE	TWO-PLACE (0.001)
DATE	DATE	THREE-PLACE (0.0001)
DATE	DATE	FOUR-PLACE (0.00001)
DATE	DATE	FIVE-PLACE (0.000001)
DATE	DATE	SIX-PLACE (0.0000001)
DATE	DATE	SEVEN-PLACE (0.00000001)
DATE	DATE	EIGHT-PLACE (0.000000001)
DATE	DATE	NINE-PLACE (0.0000000001)
DATE	DATE	TEN-PLACE (0.00000000001)
DATE	DATE	ELEVEN-PLACE (0.000000000001)
DATE	DATE	TWELVE-PLACE (0.0000000000001)
DATE	DATE	THIRTEEN-PLACE (0.00000000000001)
DATE	DATE	FOURTEEN-PLACE (0.000000000000001)
DATE	DATE	FIFTEEN-PLACE (0.0000000000000001)
DATE	DATE	SIXTEEN-PLACE (0.00000000000000001)
DATE	DATE	SEVENTEEN-PLACE (0.000000000000000001)
DATE	DATE	EIGHTEEN-PLACE (0.0000000000000000001)
DATE	DATE	NINETEEN-PLACE (0.00000000000000000001)
DATE	DATE	TWENTY-PLACE (0.000000000000000000001)
DATE	DATE	UNSPECIFIED TOLERANCES ARE:
DATE	DATE	WHOLE OR .01
DATE	DATE	ONE-PLACE (0.01)
DATE	DATE	TWO-PLACE (0.001)
DATE	DATE	THREE-PLACE (0.0001)
DATE	DATE	FOUR-PLACE (0.00001)
DATE	DATE	FIVE-PLACE (0.000001)
DATE	DATE	SIX-PLACE (0.0000001)
DATE	DATE	SEVEN-PLACE (0.00000001)
DATE	DATE	EIGHT-PLACE (0.000000001)
DATE	DATE	NINE-PLACE (0.0000000001)
DATE	DATE	TEN-PLACE (0.00000000001)
DATE	DATE	ELEVEN-PLACE (0.000000000001)
DATE	DATE	TWELVE-PLACE (0.0000000000001)
DATE	DATE	THIRTEEN-PLACE (0.00000000000001)
DATE	DATE	FOURTEEN-PLACE (0.000000000000001)
DATE	DATE	FIFTEEN-PLACE (0.0000000000000001)
DATE	DATE	SIXTEEN-PLACE (0.00000000000000001)
DATE	DATE	SEVENTEEN-PLACE (0.000000000000000001)
DATE	DATE	EIGHTEEN-PLACE (0.0000000000000000001)
DATE	DATE	NINETEEN-PLACE (0.00000000000000000001)
DATE	DATE	TWENTY-PLACE (0.000000000000000000001)



WIRING DIAGRAM-BACKWALL
 (FORD CHASSIS)
 (JAPAN EXPORT)
 (WIRE ASM 103459)

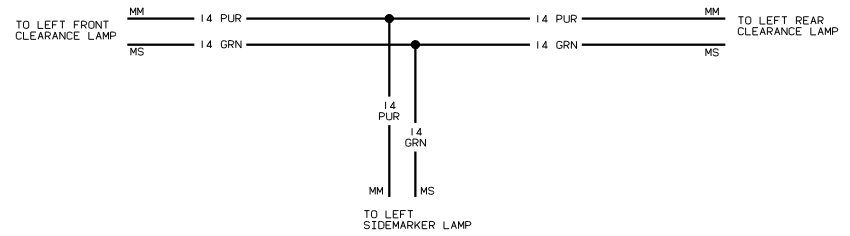


WIRING DIAGRAM-BACKWALL
 (CHEVY CHASSIS)
 (WIRE EXPORT)
 (WIRE ASM 125350)

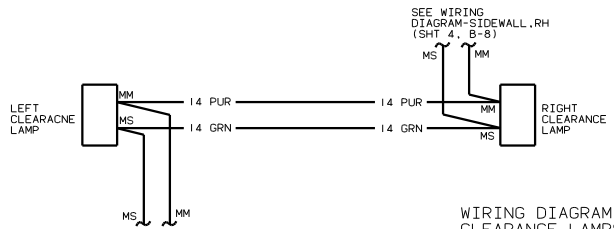


SEE WIRING
DIAGRAM-SIDEWALL.LH
(SHT 3. G-3)

WIRING DIAGRAM-
CLEARANCE LAMPS, REAR
(JAPAN EXPORTS)
(WIRE ASM 103460-01)

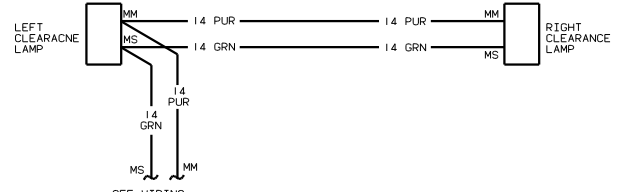


WIRING DIAGRAM-SIDEWALL, LEFT
(WIRE ASM 92099)



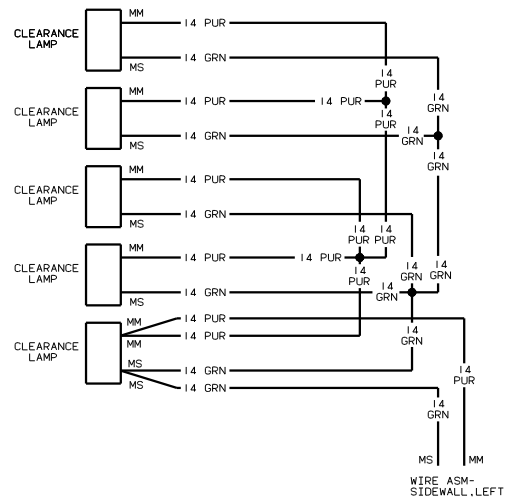
SEE WIRING
DIAGRAM-SIDEWALL.LH
(SHT 4. F-6)

WIRING DIAGRAM-
CLEARANCE LAMPS, REAR
(WIE EXPORTS)
(WIRE ASM 124841-02)

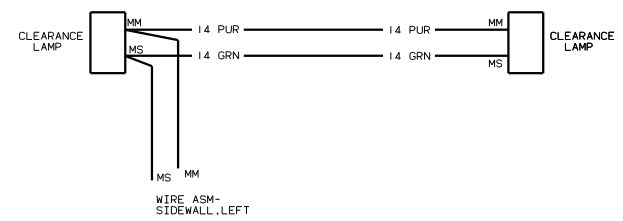


SEE WIRING
DIAGRAM-SIDEWALL.LH
(SHT 3. G-3)

WIRING DIAGRAM-
CLEARANCE LAMPS, FRONT
(JAPAN EXPORTS)
(WIRE ASM 106958-01)



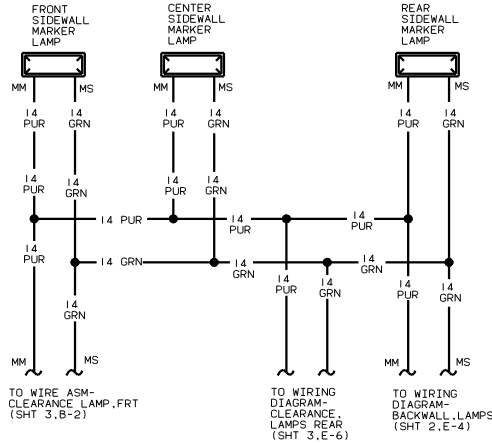
WIRING DIAGRAM-CLEARANCE LAMPS
FRONT AND REAR
(WIRE ASM 92098-01 OR -02)



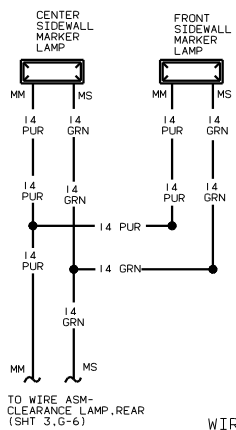
WIRE ASM-
SIDEWALL, LEFT

WIRING DIAGRAM-CLEARANCE LAMPS, FRONT
(WIE EXPORT)
(WIRE ASM-124841-01)

TITLE		WIRING DIAGRAM-AUTO LAMPS	
NO. OF SHEETS	3	SHEET NO.	3
DATE		122089	



WIRING DIAGRAM-SIDEWALL , LH
(WIRE EXPORTS)
(WIRE ASM 124836-01)



WIRING DIAGRAM-SIDEWALL , RH
(WIRE EXPORTS)
(WIRE ASM 124836-02)