



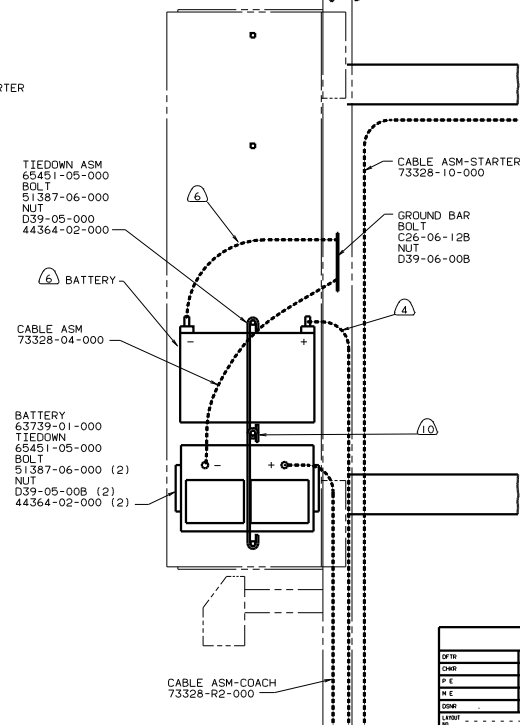
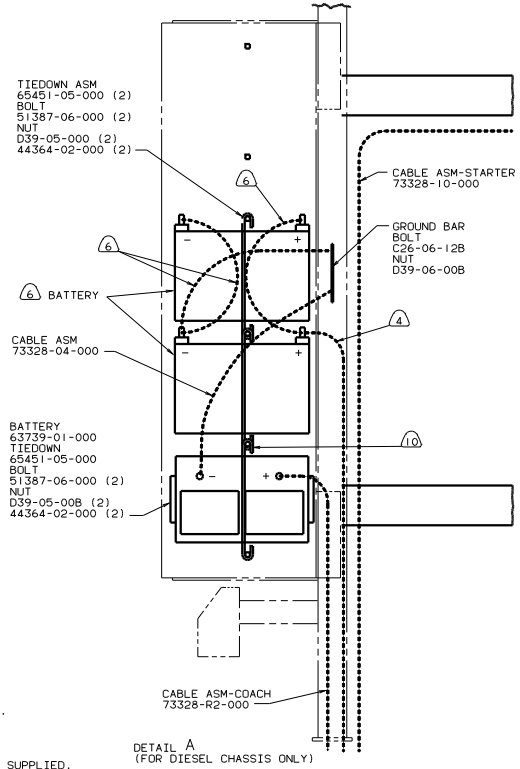
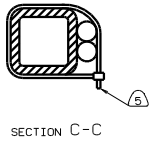
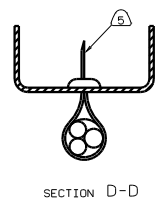
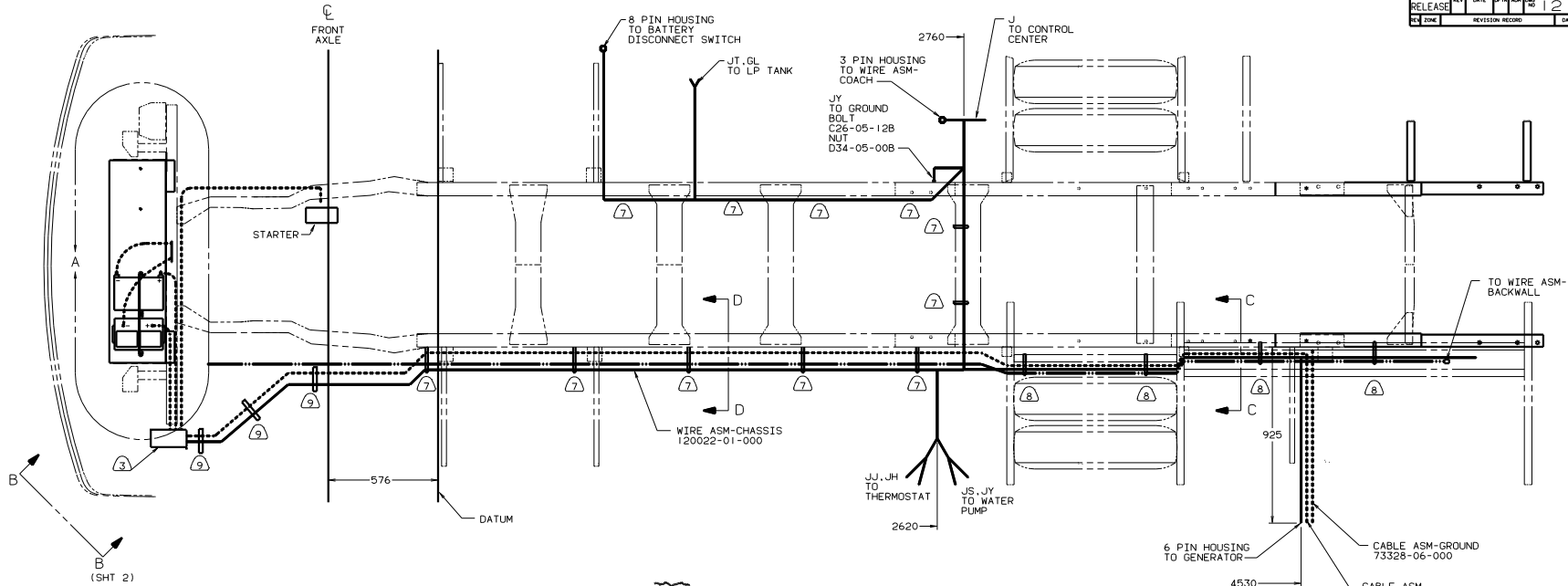
DANGER

Danger of electrical shock, burns or death. Always remove all power sources before attempting any repair, service or diagnostic work. Power can be present from shore power, generator, inverter or battery. All power sources must be disabled and secured before performing any service.



CAUTION

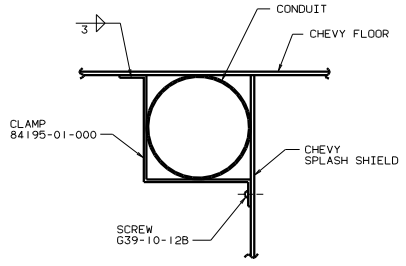
If you lack the skills, tools or equipment to perform diagnostic or repair work leave such work to an authorized Winnebago Industries dealer or other qualified shop.



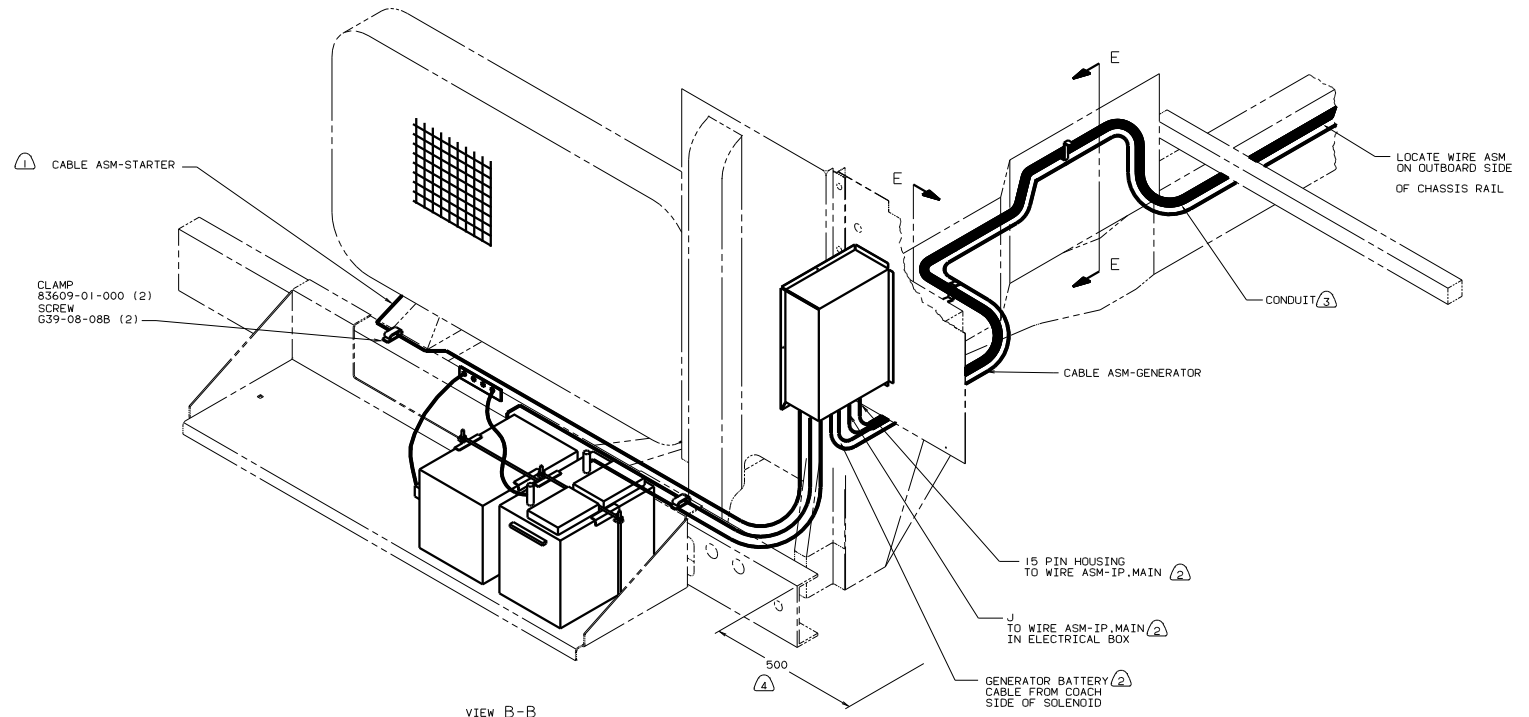
- NOTES:
- ⑩ USE TWO NUTS HERE TO ACCOUNT FOR BATTERY HEIGHT DIFFERENCE.
 - ⑨ CLAMP 83610-01-000, SCREW G39-08-12B.
 - ⑧ WIRE TIE 8343-02-000. FASTEN TO FLOOR FRAME TUBE AT LEAST ONCE EVERY 600MM.
 - ⑦ WIRE TIE 116673-01-000. FASTEN AT LEAST ONCE EVERY 600MM. USE 15.8MM DIA HOLES IN FRAME RAIL WHERE POSSIBLE.
 - ⑥ SUPPLIED WITH CHASSIS.
 - ⑤ CUT OFF EXCESS END OF WIRE TIE.
 - ④ CHASSIS SUPPLIED-STARTER, CABLE-RE-USED FOR CHASSIS CABLE.
 - ③ SEE WIRING INSTALLATION FRONT END FOR ADDITIONAL INFORMATION.

1. LEGEND: — WINNEBAGO; CABLE; — CHASSIS SUPPLIED.

OF IN		DATE	UNSPECIFIED TOLERANCES ARE	MATERIAL
CHG	DATE	WHOLE OR 1/16"	ONE-PLACE (1/32")	
REV	DATE	FRACTION (1/32")	ONE-PLACE (1/32")	
D/E	DATE	MM	MM	
COMP	DATE	INDUSTRY PRACTICES		
DRAWN		TITLE		
BY		WIRING INSTL-CHASSIS		
CHECKED		SHEET 1 OF 2		
APPROVED		REF: 119067 F 1		



VIEW E-E
(2 PLCS)



VIEW B-B

- ④ LAY BATTERY CABLES TO THIS DIMENSION FROM END OF CHASSIS CROSSMEMBER TO START INSTALLATION.
- ③ COVER WITH CONDUIT 41953-09.-10.-11-000 AS REQUIRED.
- ② SEE WIRING INSTL-FRONT END FOR ADDITIONAL INFORMATION.
- ① BATTERY CABLE MUST BE INSTALLED TO STARTER MOTOR BEFORE ENGINE WIRING HARNESS AND ROUTED IN SUCH A MANNER AS TO PREVENT ANY POSSIBLE DEGRADATION FROM THE EXHAUST SYSTEM.

NOTES:

97 D25RU

TITLE		WIRING INSTL-CHASSIS	
NO. OF SHEETS	TOTAL SHEETS	REV.	DATE
2	2	1	121945