



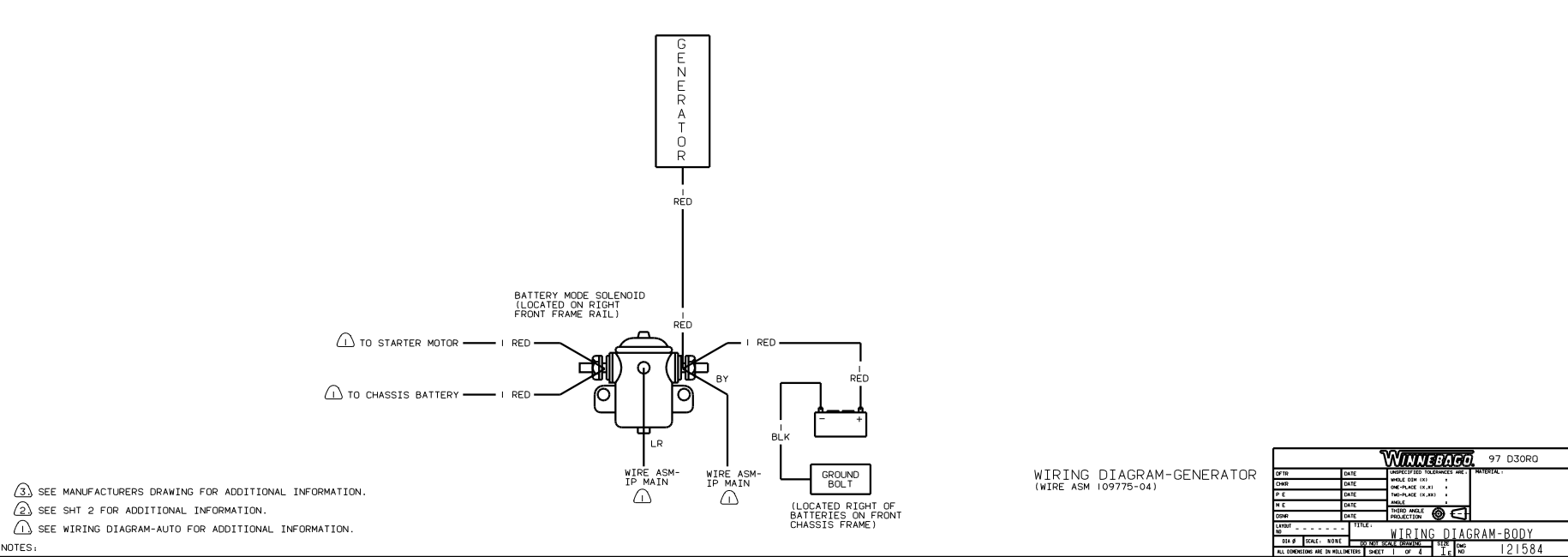
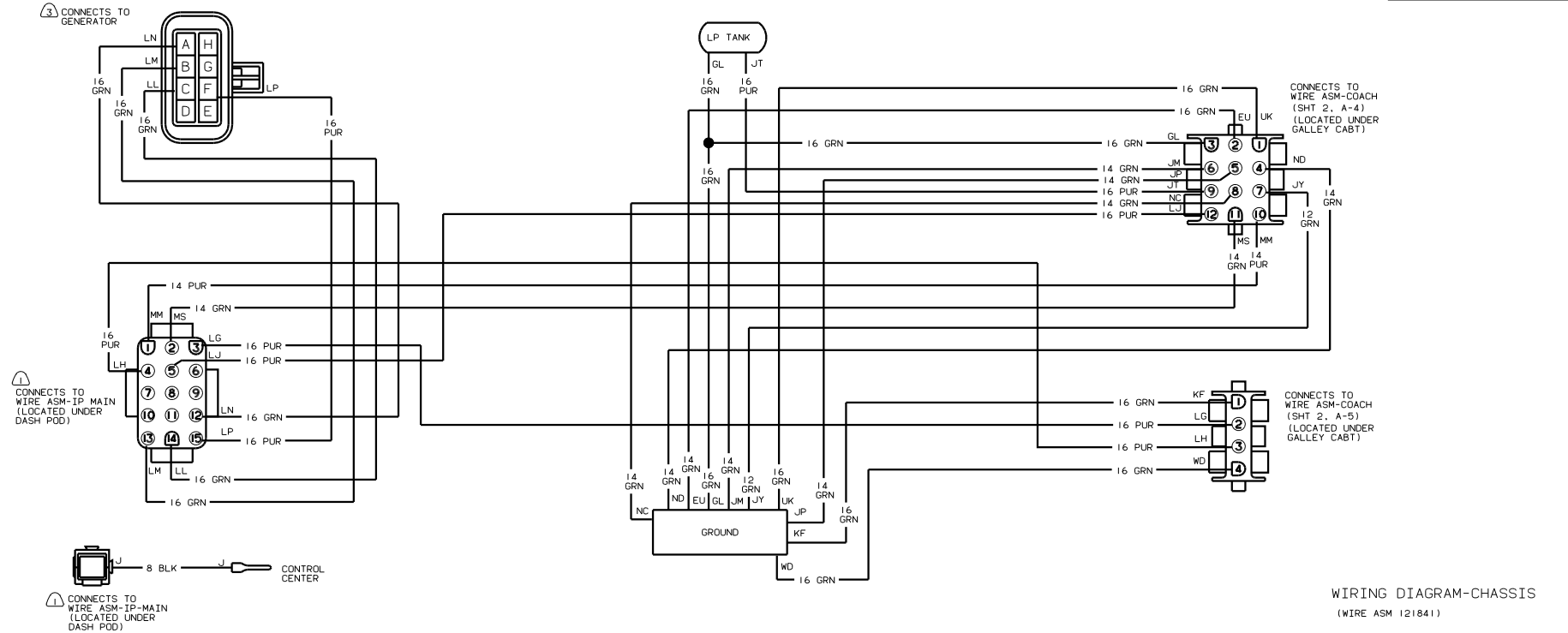
**DANGER**

**Danger of electrical shock, burns or death.** Always remove all power sources before attempting any repair, service or diagnostic work. Power can be present from shore power, generator, inverter or battery. All power sources must be disabled and secured before performing any service.



**CAUTION**

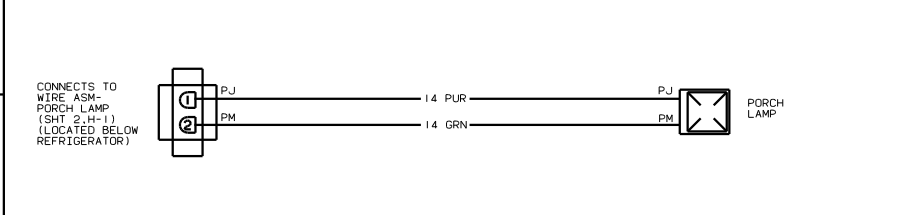
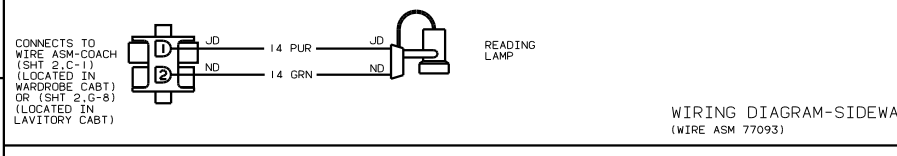
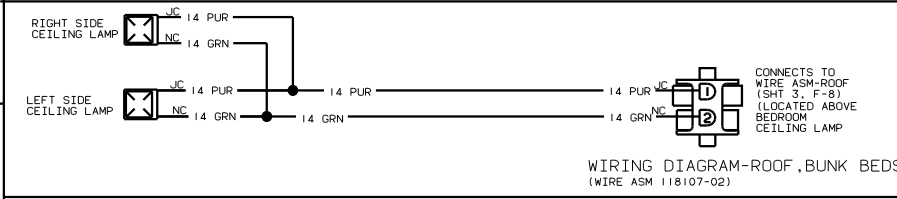
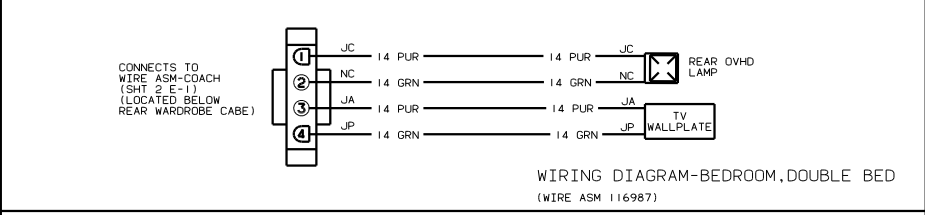
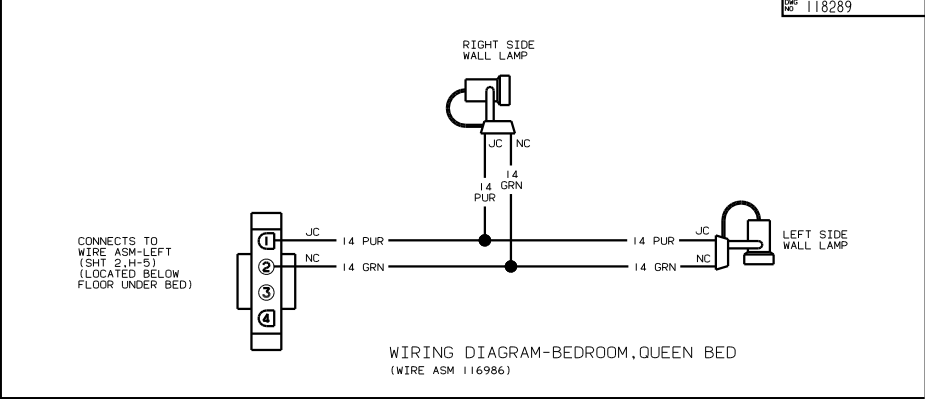
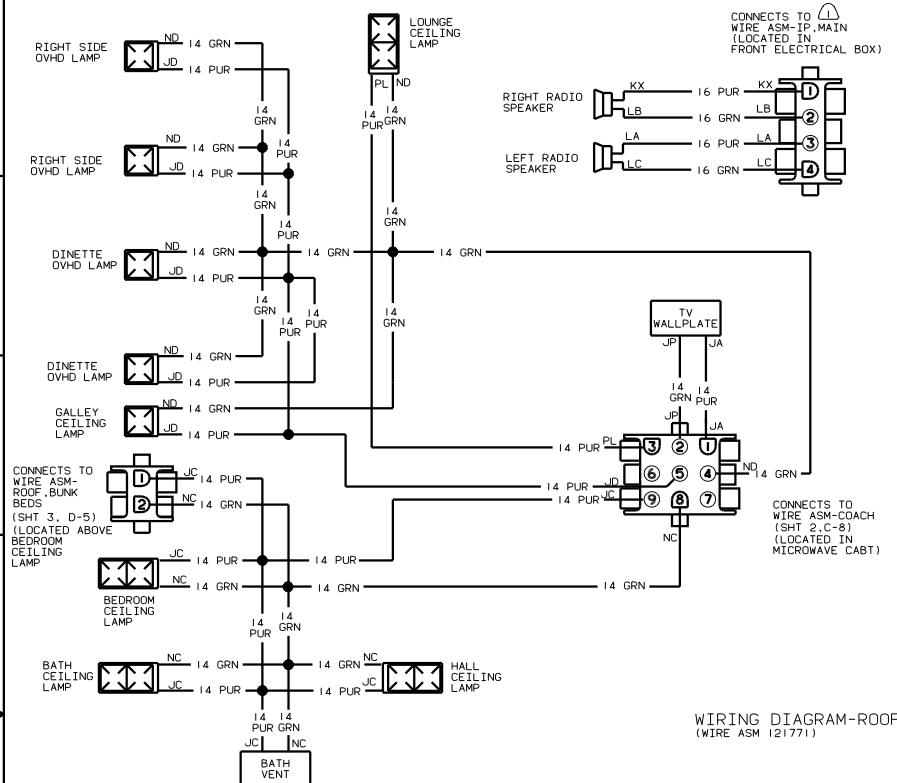
If you lack the skills, tools or equipment to perform diagnostic or repair work leave such work to an authorized Winnebago Industries dealer or other qualified shop.



③ SEE MANUFACTURERS DRAWING FOR ADDITIONAL INFORMATION.  
 ② SEE SHT 2 FOR ADDITIONAL INFORMATION.  
 ① SEE WIRING DIAGRAM-AUTO FOR ADDITIONAL INFORMATION.

DATE		UNSPECIFIED TOLERANCES ARE:	INVERTICAL
DATE	WHOLE ORS	+	
DATE	ONE-PLACE (1X.01)	+	
DATE	TWO-PLACE (1X.001)	+	
DATE	THREE-PLACE (1X.0001)	+	
DATE	FOUR-PLACE (1X.00001)	+	
DATE	FIVE-PLACE (1X.000001)	+	
DATE	SIX-PLACE (1X.0000001)	+	
DATE	SEVEN-PLACE (1X.00000001)	+	
DATE	EIGHT-PLACE (1X.000000001)	+	
DATE	NINE-PLACE (1X.0000000001)	+	
DATE	TEN-PLACE (1X.00000000001)	+	
DATE	UNSPECIFIED TOLERANCES ARE:		
DATE	WHOLE ORS		
DATE	ONE-PLACE (1X.01)		
DATE	TWO-PLACE (1X.001)		
DATE	THREE-PLACE (1X.0001)		
DATE	FOUR-PLACE (1X.00001)		
DATE	FIVE-PLACE (1X.000001)		
DATE	SIX-PLACE (1X.0000001)		
DATE	SEVEN-PLACE (1X.00000001)		
DATE	EIGHT-PLACE (1X.000000001)		
DATE	NINE-PLACE (1X.0000000001)		
DATE	TEN-PLACE (1X.00000000001)		
DATE	UNSPECIFIED TOLERANCES ARE:		
DATE	WHOLE ORS		
DATE	ONE-PLACE (1X.01)		
DATE	TWO-PLACE (1X.001)		
DATE	THREE-PLACE (1X.0001)		
DATE	FOUR-PLACE (1X.00001)		
DATE	FIVE-PLACE (1X.000001)		
DATE	SIX-PLACE (1X.0000001)		
DATE	SEVEN-PLACE (1X.00000001)		
DATE	EIGHT-PLACE (1X.000000001)		
DATE	NINE-PLACE (1X.0000000001)		
DATE	TEN-PLACE (1X.00000000001)		
DATE	UNSPECIFIED TOLERANCES ARE:		
DATE	WHOLE ORS		
DATE	ONE-PLACE (1X.01)		
DATE	TWO-PLACE (1X.001)		
DATE	THREE-PLACE (1X.0001)		
DATE	FOUR-PLACE (1X.00001)		
DATE	FIVE-PLACE (1X.000001)		
DATE	SIX-PLACE (1X.0000001)		
DATE	SEVEN-PLACE (1X.00000001)		
DATE	EIGHT-PLACE (1X.000000001)		
DATE	NINE-PLACE (1X.0000000001)		
DATE	TEN-PLACE (1X.00000000001)		
DATE	UNSPECIFIED TOLERANCES ARE:		
DATE	WHOLE ORS		
DATE	ONE-PLACE (1X.01)		
DATE	TWO-PLACE (1X.001)		
DATE	THREE-PLACE (1X.0001)		
DATE	FOUR-PLACE (1X.00001)		
DATE	FIVE-PLACE (1X.000001)		
DATE	SIX-PLACE (1X.0000001)		
DATE	SEVEN-PLACE (1X.00000001)		
DATE	EIGHT-PLACE (1X.000000001)		
DATE	NINE-PLACE (1X.0000000001)		
DATE	TEN-PLACE (1X.00000000001)		
DATE	UNSPECIFIED TOLERANCES ARE:		
DATE	WHOLE ORS		
DATE	ONE-PLACE (1X.01)		
DATE	TWO-PLACE (1X.001)		
DATE	THREE-PLACE (1X.0001)		
DATE	FOUR-PLACE (1X.00001)		
DATE	FIVE-PLACE (1X.000001)		
DATE	SIX-PLACE (1X.0000001)		
DATE	SEVEN-PLACE (1X.00000001)		
DATE	EIGHT-PLACE (1X.000000001)		
DATE	NINE-PLACE (1X.0000000001)		
DATE	TEN-PLACE (1X.00000000001)		

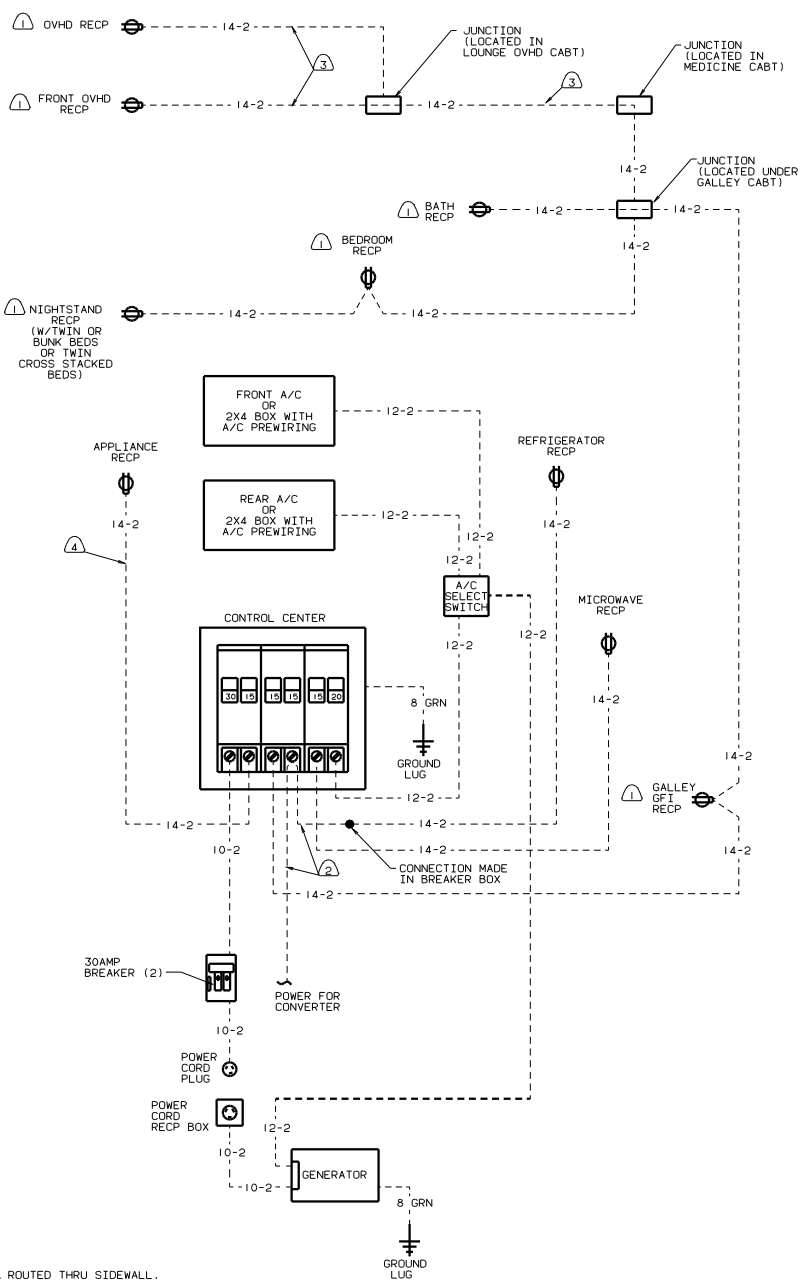




SEE WIRING DIAGRAM-AUTO FOR ADDITIONAL INFORMATION.

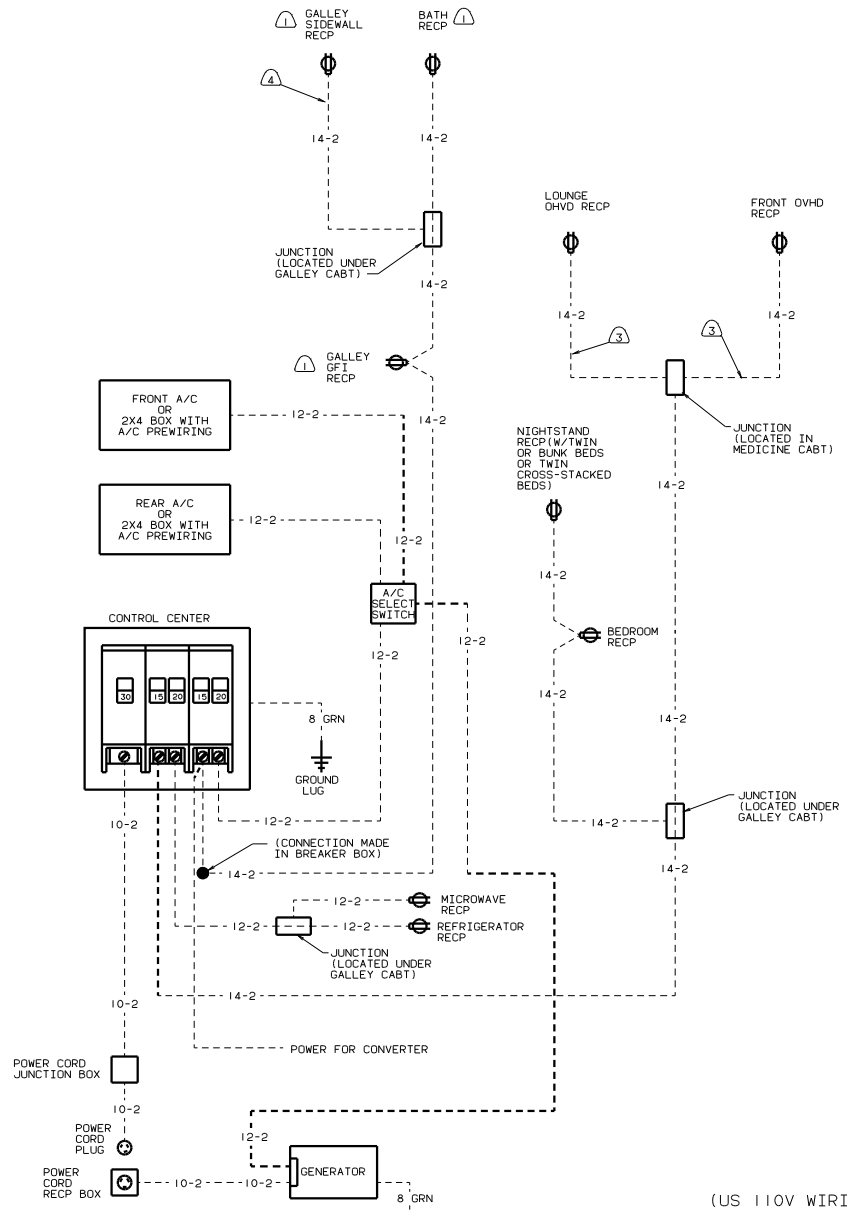
NOTES:

**WIRING DIAGRAM-PORCH LAMP**  
(WIRE ASM 93051-04)



- ④ ROUTED THRU SIDEWALL.
- ③ ROUTED IN ROOF.
- ② LEAD SUPPLIED WITH CONVERTER.
- ① PROTECTED BY GFI RECP.

(CAN 110V WIRING)



(US 110V WIRING)

TITLE		97 D30RD	
WIRING DIAGRAM-BODY		121584	
NO. OF SHEETS	TOT. SHEETS	DATE	REV.
4	4		1