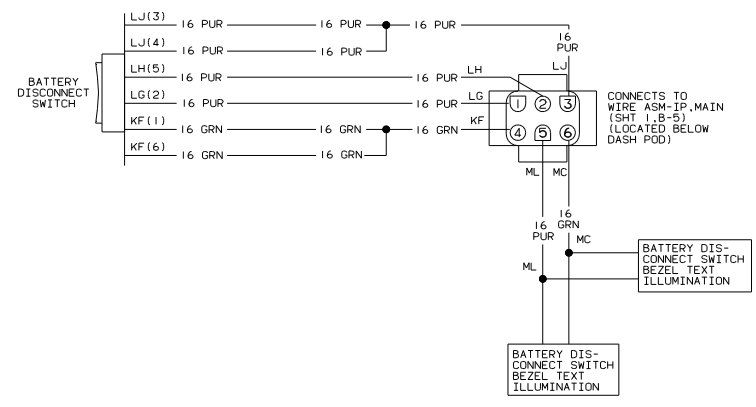
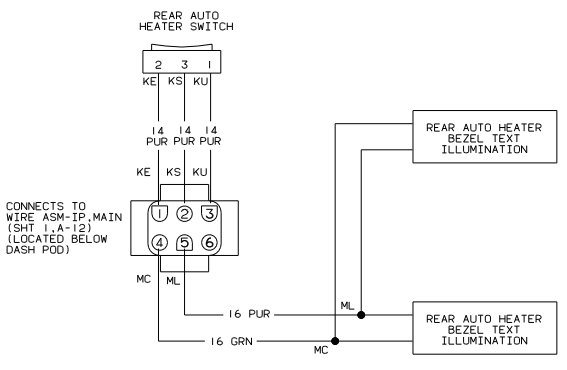


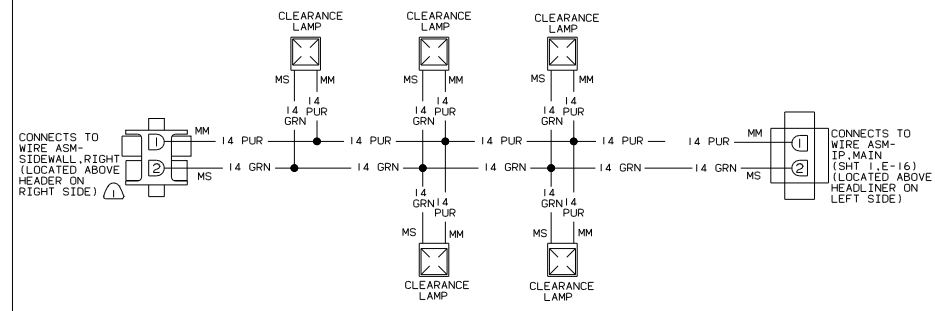
WIRING DIAGRAM-IP,CENTER
(WIRE ASM 103850)



WIRING DIAGRAM-IP,BAT DISCONNECT
(WITH BATTERY DISCONNECT)
(WIRE ASM 103851)

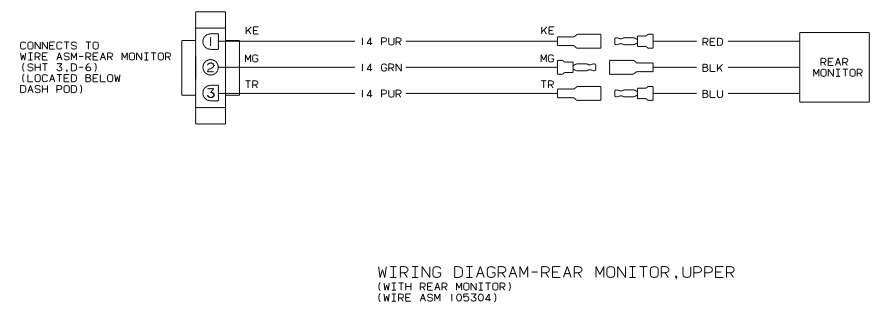
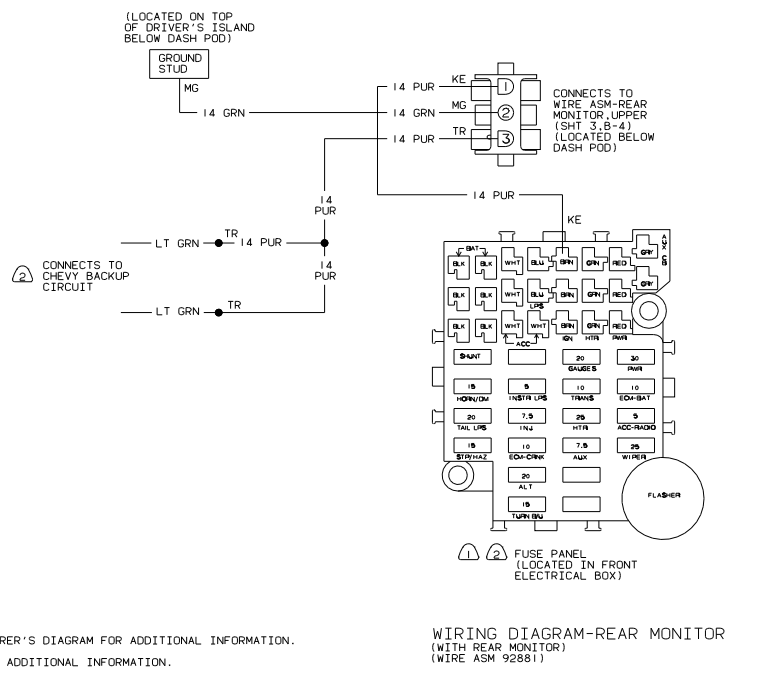
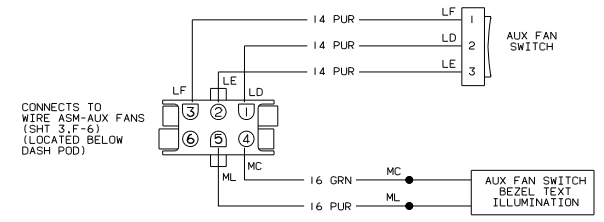
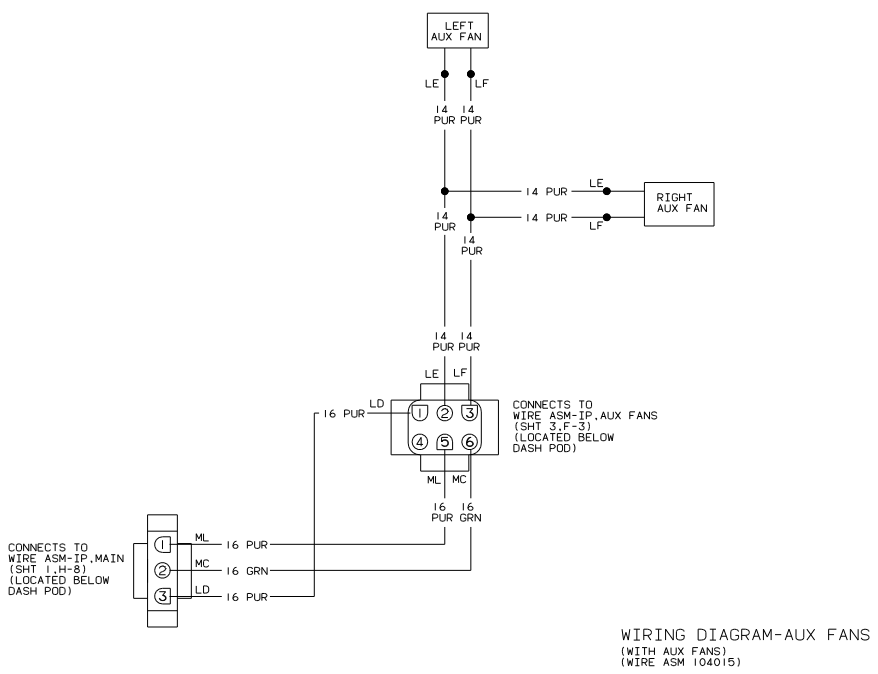


WIRING DIAGRAM-IP,REAR AUTO HEATER
(WITH REAR AUTO HEATER)
(WIRE ASM 104689)



WIRING DIAGRAM-CLEARANCE LAMPS,FRT
(WIRE ASM 102636)

NOTES: SEE WIRING DIAGRAM-AUTO LAMPS FOR ADDITIONAL INFORMATION.



2 SEE MANUFACTURER'S DIAGRAM FOR ADDITIONAL INFORMATION.
1 SEE SHT 1 FOR ADDITIONAL INFORMATION.